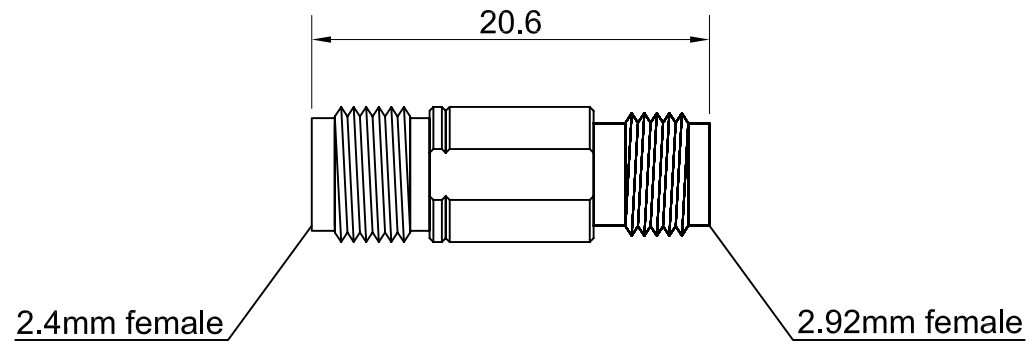



Uncontrolled Drawing



Specification:

1. Nominal Impedance: 50Ω
2. Frequency Range: DC-40GHz
3. VSWR: 1.2@40GHz
4. Connector: 2.4mm(f)-2.92mm(f),Stainless Steel

R.P.	Qty.	Title/Name, Design, Material and Tagging			DWG NO. 515.2012	
DESIGNED_XXW	CHECKED_ZH	APPROVED_	FILENAME	DATE 13/8/21	SCALE 1:1	
 BXT Technologies Tel:0591-83789500 www.bxt-technologies.cn			MODEL: C181640		VERSION EDITION	DWG SHEET
			DES. DC-40GHz / 2.4mm(f)-2.92mm(f) Adapter			