

# ADAPTERS, BETWEEN SERIES

## TYPE N / SMA, DC - 18 GHz, PRECISION

### SPECIFICATIONS:

Models: 5106, 5107, 5108, 5109

**RoHS**  
Compliant

**AEROFLEX**  
A passion for performance.

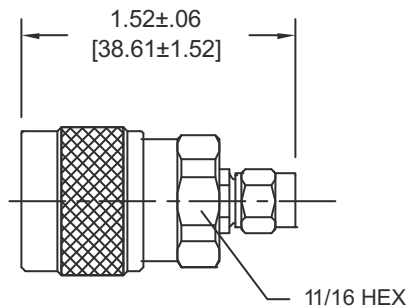
#### Electrical:

Frequency Range \_\_\_\_\_ DC - 18 GHz  
 VSWR  
 DC - 4 GHz \_\_\_\_\_ 1.04:1 Max.  
 4 - 8 GHz \_\_\_\_\_ 1.07:1 Max.  
 8 - 18 GHz \_\_\_\_\_ 1.12:1 Max.  
 Impedance \_\_\_\_\_ 50 Ohms  
 Operating Temp. Range \_\_\_\_\_ -65°C to +125°C

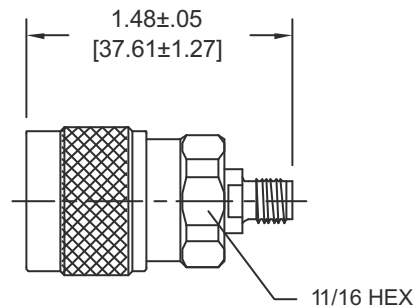
#### Mechanical:

Connectors \_\_\_\_\_ Passivated Stainless Steel  
Mates with MILSTD-348  
 Conductors \_\_\_\_\_ Gold Plated Beryllium Copper

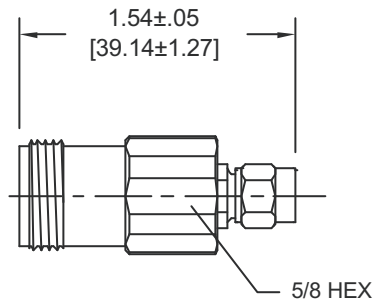
Model Number: **5106**  
 Type N Male / SMA Male



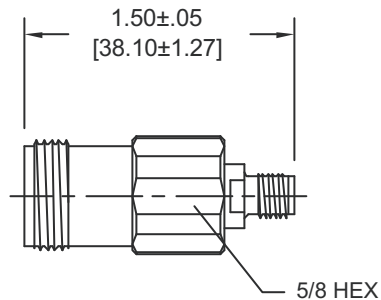
Model Number: **5108**  
 Type N Male / SMA Female



Model Number: **5107**  
 Type N Female / SMA Male



Model Number: **5109**  
 Type N Female / SMA Female



Note: Dimensions in Brackets are Expressed in Millimeters and are for Reference Only.  
 Units that offer very low return loss (VSWR) are also available

5106; REV C

**AEROFLEX**  
INMET

Aeroflex / Inmet, Inc. • 300 Dino Drive, Ann Arbor, MI 48103 • U.S.A.  
 888-244-6638 or 734-426-5553 • FAX: 734-426-5557  
 www.aeroflex.com/inmet • inmet-sales@eroflex.com