



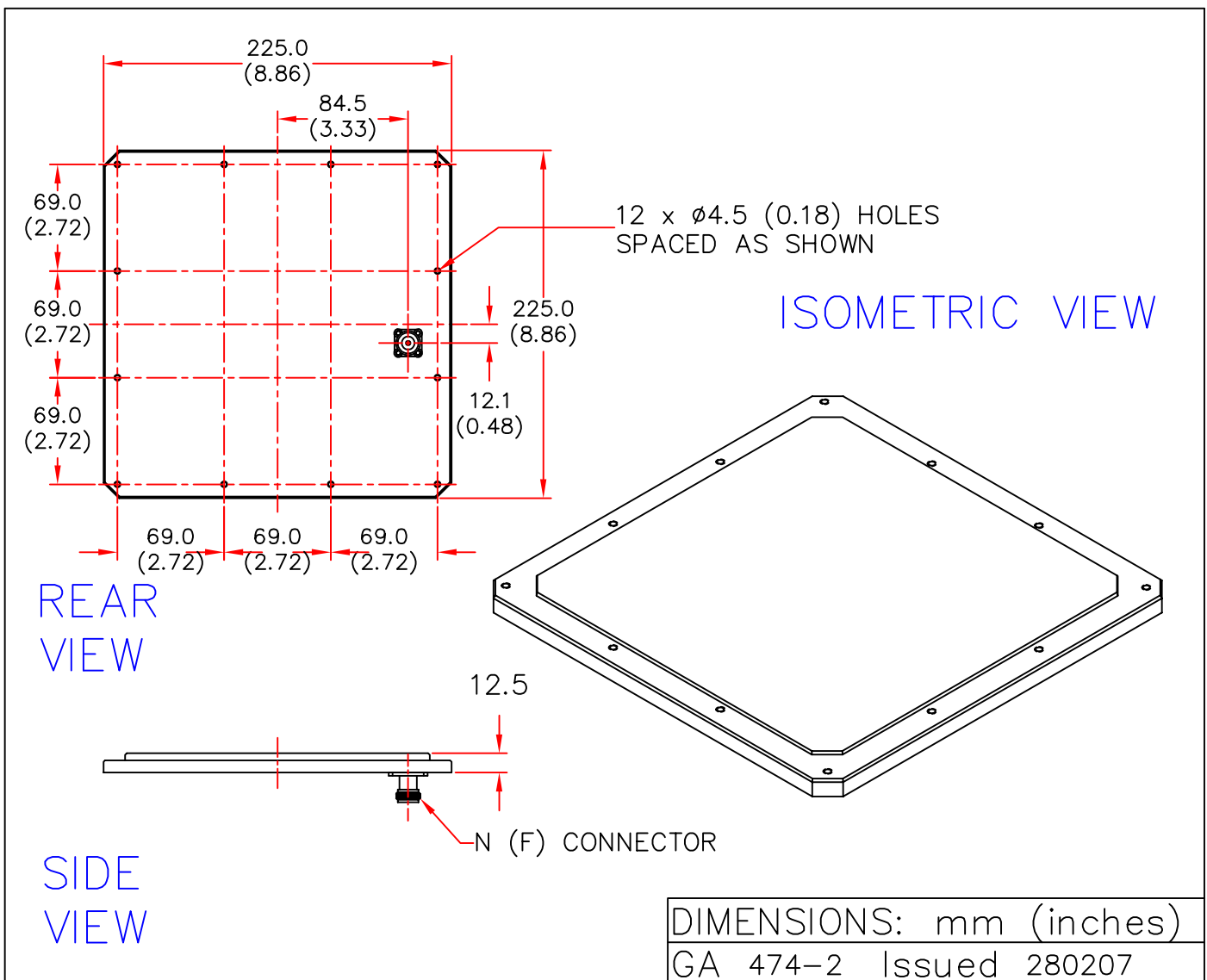
EUROPEAN ANTENNAS



FLAT PANEL ANTENNA

MODEL: FPA19-58V-701/474

FREQUENCY: 5.725-5.825 GHz	GAIN: 16 dBi Nominal
POLARISATION: Linear (Vertical)	BEAMWIDTH: 20° x 20°
CROSS POLAR: >25 dB	VSWR: 1.5:1
POWER RATING: 10 W	FRONT TO BACK: >40 dB
TEMPERATURE: -20°C to +50°C	MASS: 0.35 Kg/0.8 lb
RADOME: White Polycarbonate/Co-polymer blend	WIND LOADING: 8.21Kg/10.06lbs @ 100mph



EUROPEAN ANTENNAS LTD.

TEL: +44 (0)1638 731888

LAMBDA HOUSE, CHEVELEY,
NEWMARKET, SUFFOLK, CB8 9RG,
UNITED KINGDOM.

FAX: +44 (0)1638 731999

European Antennas Ltd. has a policy of continuous development and therefore stress that the data contained on this sheet should be used for guidance only.