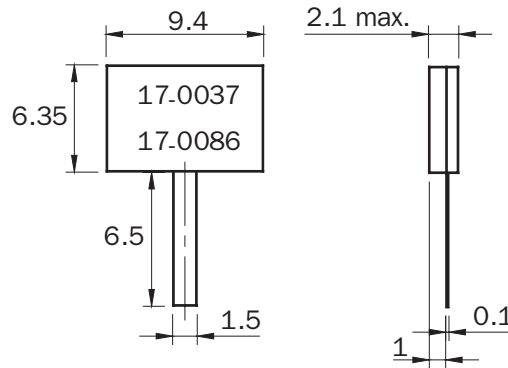
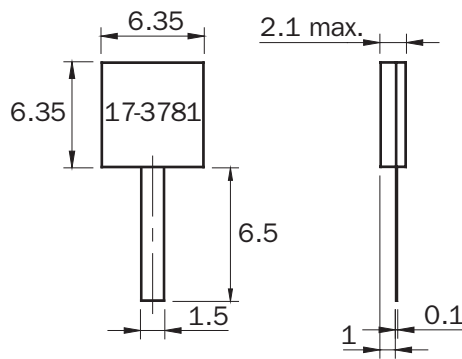
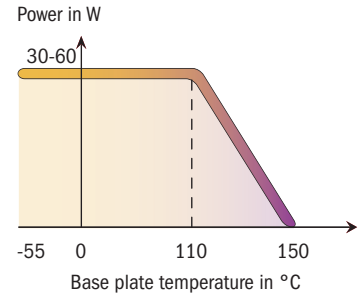




Standards
NF C 96-315
MIL-DTL-39030



Substrate BeO
Resistive film Thick film
Tab Ag
Cover substrate Al₂O₃



Dimensions in mm

P/N	Frequency (GHz)	Power (W)	Impedance (Ω ± 5%)	Max VSWR
17-3781	4	30	50	1.20
17-0037	2	60	50	1.20
17-0086	4	60	50	1.20

mm	inch
0.1	0.004
1	0.039
1.5	0.059
2.1	0.083
6.35	0.250
6.5	0.256
9.4	0.370