



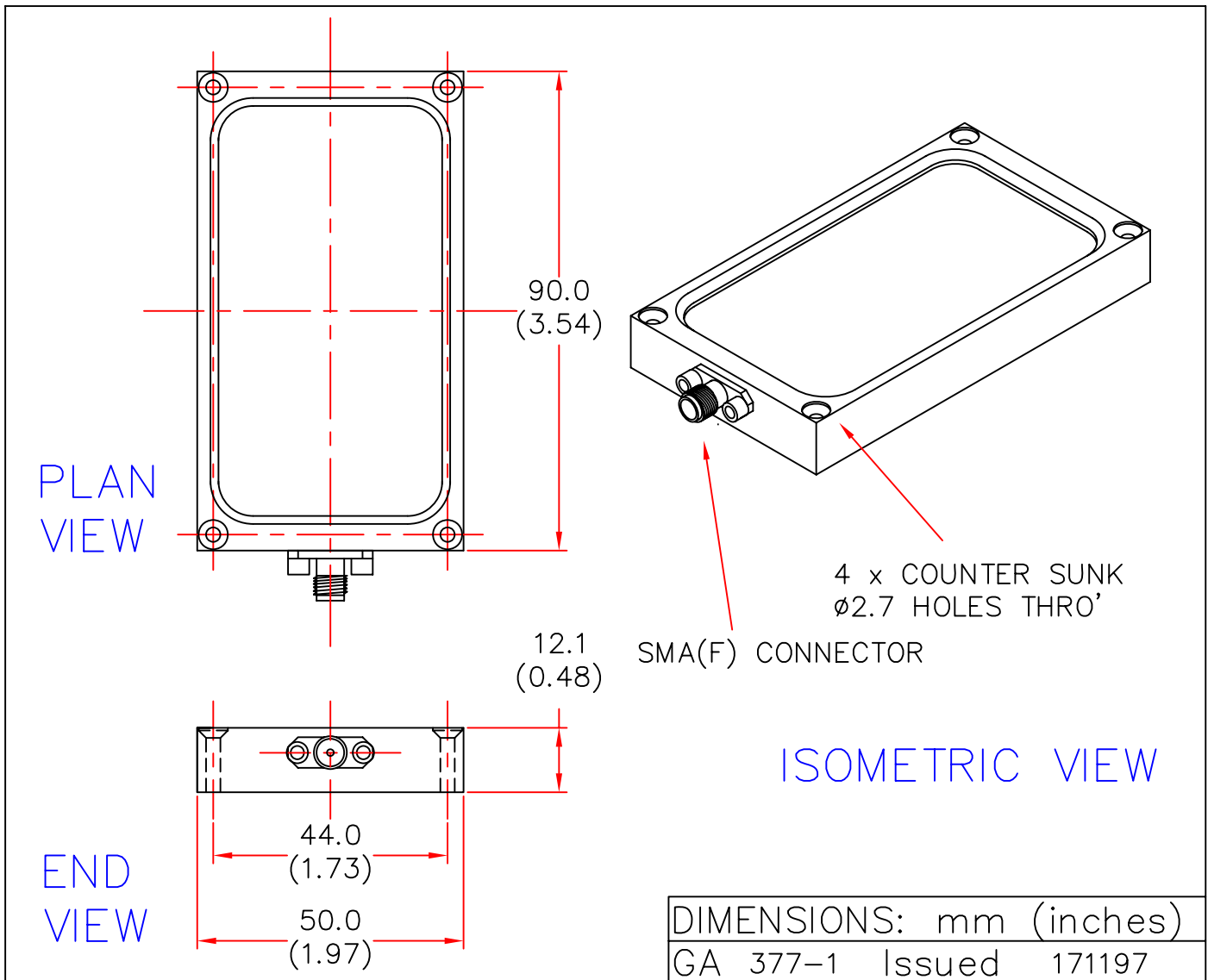
EUROPEAN ANTENNAS



FLAT PANEL ANTENNA

MODEL: FPA13-105V-WD/377

FREQUENCY: 10.2 – 10.7 GHz	GAIN: 13 dB \pm 1 dB
POLARISATION: Linear (Vertical)	BEAMWIDTH: 44° x 36°
CROSS POLAR: 20 dB	VSWR: 1.5 : 1
POWER RATING: 2 W	FRONT TO BACK: 30 dB
TEMPERATURE: -20°C to +50°C	MASS: 110 g/3.9 oz
FINISH: Black Anodised with brown PTFE Radome	WIND LOADING: N/A



EUROPEAN ANTENNAS LTD.

TEL: +44 (0)1638 731888

LAMBDA HOUSE, CHEVELEY,
NEWMARKET, SUFFOLK, CB8 9RG,
UNITED KINGDOM.

FAX: +44 (0)1638 731999

European Antennas Ltd. has a policy of continuous development and therefore stress that the data contained on this sheet should be used for guidance only.