



# EUROPEAN ANTENNAS

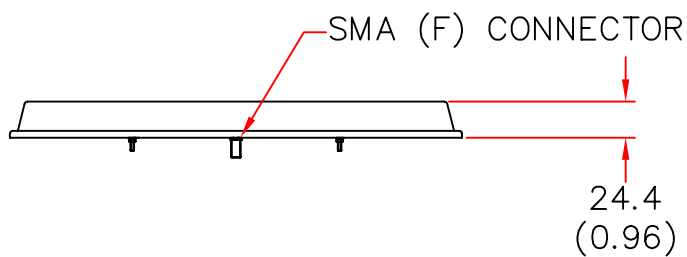


## FLAT PANEL ANTENNA

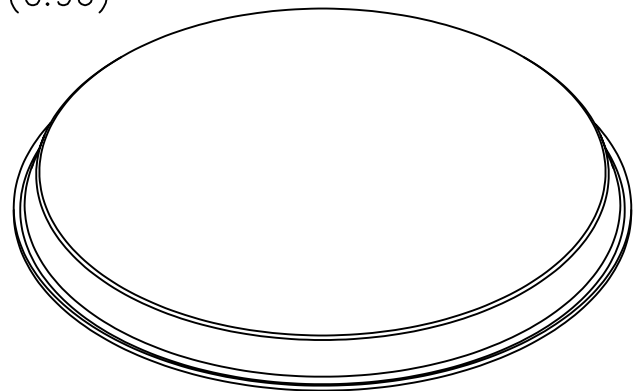
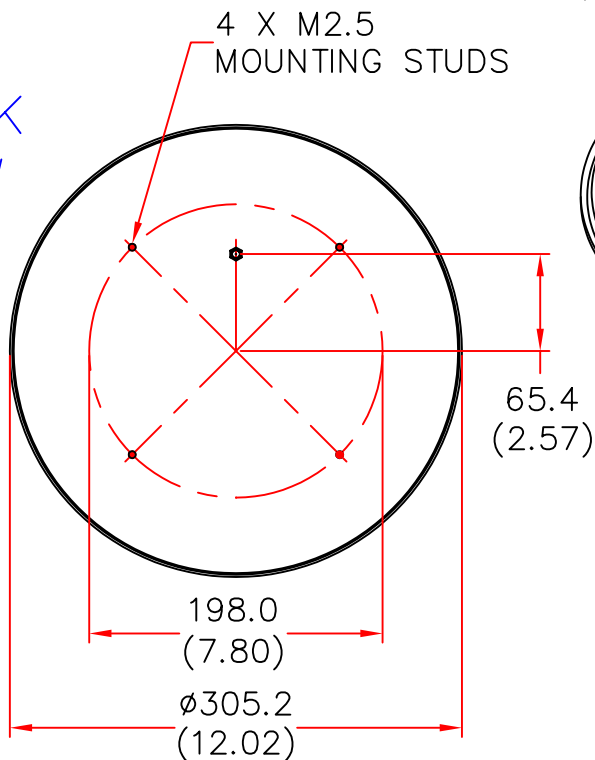
MODEL: FPA14-16R-F01/495

FREQUENCY: 1.52-1.55 GHz	GAIN: 13 dBi Typical
POLARISATION: R.H. Circular	BEAMWIDTH: 40° x 40°
AXIAL RATIO: 1 dB	VSWR: 1.5 : 1
POWER RATING: 10 W	FRONT TO BACK: 25 dB
TEMPERATURE: -20°C to +50°C	MASS: 1 Kg
RADOME: White ABS	WIND LOADING: 11.9Kg / 26.1lbs @ 100mph

SIDE  
VIEW



BACK  
VIEW



ISOMETRIC VIEW

DIMENSIONS: mm (inches)  
GA 495-1 Issued 220499

EUROPEAN ANTENNAS LTD.

TEL: +44 (0)1638 731888

LAMBDA HOUSE, CHEVELEY,  
NEWMARKET, SUFFOLK, CB8 9RG,  
UNITED KINGDOM.

FAX: +44 (0)1638 731999

European Antennas Ltd. has a policy of continuous development and therefore stress that the data contained on this sheet should be used for guidance only.