



BNC Female to BNC Female 4 Hole Flange Adapter

TECHNICAL DATA SHEET

PE9106

Configuration

Connector 1	BNC Female
Impedance 1	50 Ohms
Connector Specification 1	MIL-STD-348A
Connector 2	BNC Female
Impedance 2	50 Ohms
Connector Specification 2	MIL-STD-348A
Adapter Design	Standard
Body Style	Straight
Mount Method	4 Hole Flange

Electrical Specifications

Frequency Range	DC to 4 GHz
Maximum VSWR	1.3:1
Maximum Operating Voltage, Volts	500

Mechanical Specifications

Size

Length, in [mm]	1.28 [32.51]
Width/Dia., in [mm]	0.689 [17.5]
Height, in [mm]	0.689 [17.5]

Connector 1

Type	BNC Female
Inner Conductor Material and Plating	Brass, Gold
Inner Conductor Plating Specification	30µ in. minimum
Body Material and Plating	Brass, Nickel
Body Plating Specification	100µ in. minimum
Dielectric Type	Teflon

Connector 2

Type	BNC Female
Inner Conductor Material and Plating	Brass, Gold
Inner Conductor Plating Specification	30µ in. minimum
Body Material and Plating	Brass, Nickel
Body Plating Specification	100µ in. minimum

Environmental Specifications

Temperature

Operating Range	-65 to +165 deg C
-----------------	-------------------

Compliance Certifications (visit www.Pasternack.com for current document)

RoHS Compliant	
REACH Compliant	06/18/2012

Click the following link (or enter part number in "SEARCH" on website) to obtain additional part information including price, inventory and certifications: [BNC Female to BNC Female 4 Hole Flange Adapter PE9106](#)



BNC Female to BNC Female 4 Hole Flange Adapter

TECHNICAL DATA SHEET

PE9106

Plotted and Other Data

Notes:

- Values at +25 °C, sea level

BNC Female to BNC Female 4 Hole Flange Adapter from Pasternack Enterprises has same day shipment for domestic and International orders. Our RF, microwave and millimeter wave products maintain a 99% availability and are part of the broadest selection in the industry.

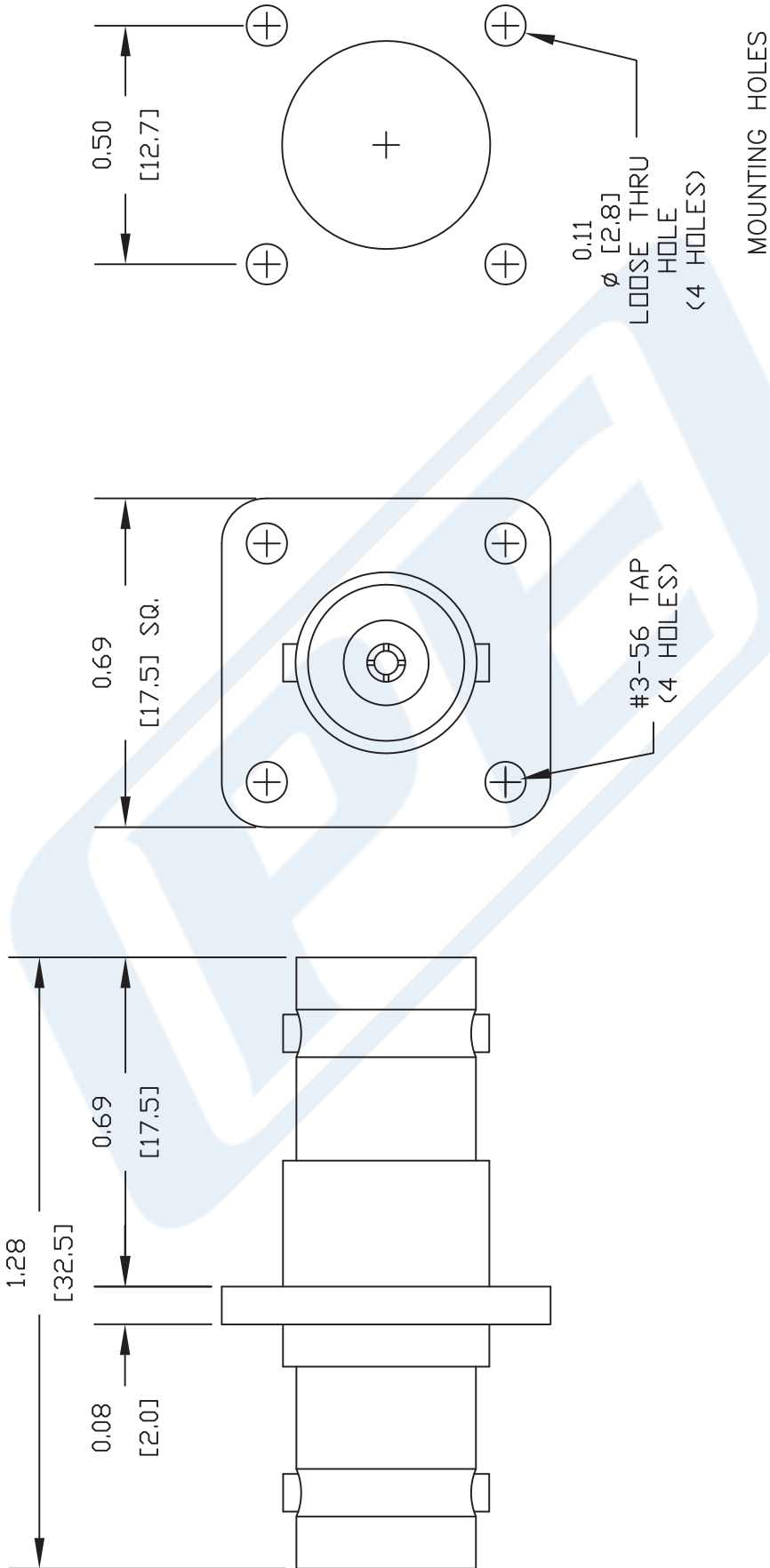
Click the following link (or enter part number in "SEARCH" on website) to obtain additional part information including price, inventory and certifications: [BNC Female to BNC Female 4 Hole Flange Adapter PE9106](#)

URL: <http://www.pasternack.com/bnc-female-bnc-female-straight-adapter-pe9106-p.aspx>

The information contained in this document is accurate to the best of our knowledge and representative of the part described herein. It may be necessary to make modifications to the part and/or the documentation of the part, in order to implement improvements. Pasternack reserves the right to make such changes as required. Unless otherwise stated, all specifications are nominal. Pasternack does not make any representation or warranty regarding the suitability of the part described herein for any particular purpose, and Pasternack does not assume any liability arising out of the use of any part or documentation.

PE9106 CAD Drawing

BNC Female to BNC Female 4 Hole Flange Adapter



DWG TITLE

PE9106

NOTES:
 1. UNLESS OTHERWISE SPECIFIED ALL DIMENSIONS ARE NOMINAL.
 2. ALL SPECIFICATIONS ARE SUBJECT TO CHANGE WITHOUT NOTICE AT ANY TIME.
 3. DIMENSIONS ARE IN INCHES [mm].

REV. A

FSCM NO. 53919

CAD FILE 082311

SCALE N/A

SIZE A

2231

PE PASTERNAK®

Pasternack Enterprises, Inc.
 P.O. Box 16759 | Irvine | CA | 92623
Phone: (949) 261-1920 | **Fax:** (949) 261-7451
Website: www.pasternack.com | **E-Mail:** sales@pasternack.com