



## Hermetically Sealed SHV Jack to SHV Jack Bulkhead Adapter

## TECHNICAL DATA SHEET

PE9336

**Hermetically Sealed SHV Jack to SHV Jack Bulkhead Adapter**
**Configuration**

Connector 1	SHV Jack
Connector 2	SHV Jack
Adapter Design	Standard
Body Style	Straight
Mount Method	Bulkhead
Isolated Ground / Hermetic	Hermetically Sealed

**Electrical Specifications**

Impedance, Ohms	50
-----------------	----

**Mechanical Specifications**
**Temperature**

Operating Range, deg C	-65 to +165
------------------------	-------------

**Size**

Length, in [mm]	2.25 [57.15]
Width/Dia., in [mm]	0.688 [17.48]
Dielectric Type	PTFE

**Connector 1**

Type	SHV Jack
Inner Conductor Material and Plating	Silver
Inner Conductor Plating Specification	QQ-S-365
Body Material and Plating	Brass, Nickel

**Connector 2**

Type	SHV Jack
Inner Conductor Material and Plating	Silver
Inner Conductor Plating Specification	QQ-S-365
Body Material and Plating	Brass, Nickel

**Compliance Certifications** (visit [www.Pasternack.com](http://www.Pasternack.com) for current document)

RoHS Compliant	Yes
----------------	-----

**Plotted and Other Data**

Notes:	Values at 25 °C, sea level
--------	----------------------------

 URL: <http://www.pasternack.com/shv-jack-shv-jack-straight-adapter-pe9336-p.aspx>

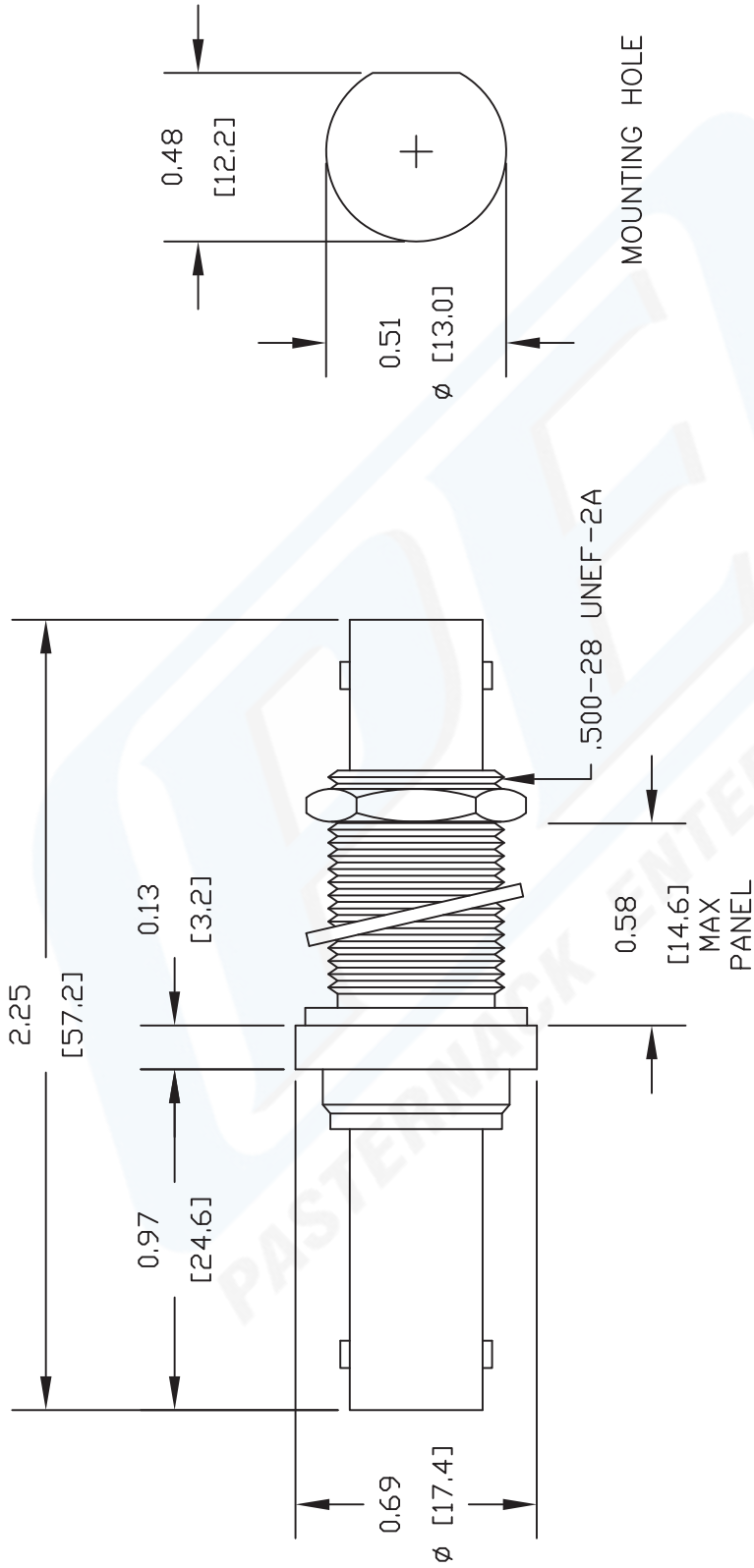
Hermetically Sealed SHV Jack to SHV Jack Bulkhead Adapter from Pasternack Enterprises has same day shipment for domestic and International orders. Our RF, microwave and fiber optic products maintain a 99% availability and are part of the broadest selection in the industry.

The information contained in this document is accurate to the best of our knowledge and representative of the part described herein. It may be necessary to make modifications to the part and/or the documentation of the part, in order to implement improvements. Pasternack reserves the right to make such changes as required. Unless otherwise stated, all specifications are nominal.



# PE9336 CAD Drawing

Hermetically Sealed SHV Jack to SHV Jack Bulkhead Adapter



DWG TITLE

**PE9336**

NOTES:  
 1. UNLESS OTHERWISE SPECIFIED ALL DIMENSIONS ARE NOMINAL.  
 2. ALL SPECIFICATIONS ARE SUBJECT TO CHANGE WITHOUT NOTICE AT ANY TIME.  
 3. DIMENSIONS ARE IN INCHES [mm].

REV. A

FSCM NO. 53919

CAD FILE 042110

SCALE N/A

SIZE A

127

**PE PASTERNAK®**

Pasternack Enterprises, Inc.

P.O. Box 16759 | Irvine | CA | 92623

Phone: (949) 261-1920 | Fax: (949) 261-7451

Website: www.pasternack.com | E-Mail: sales@pasternack.com