



7/16 DIN Male to 7/16 DIN Male Adapter

TECHNICAL DATA SHEET

PE9555

**7/16 DIN Male to 7/16 DIN Male Adapter**

**Configuration**

Connector 1	7/16 DIN Male
Impedance 1	50 Ohms
Connector 2	7/16 DIN Male
Impedance 2	50 Ohms
Adapter Design	Standard
Body Style	Straight

**Mechanical Specifications**

**Size**

Length, in [mm]	1.85 [46.99]
Width/Dia., in [mm]	1.25 [31.75]

**Connector 1**

Type	7/16 DIN Male
Inner Conductor Material and Plating	Silver
Coupling Nut Material and Plating	Brass, Nickel
Hex Size, in.	1 1/4
Torque, ft-lbs [Nm]	18.417 [24.97]
Body Material and Plating	Brass, Nickel
Dielectric Type	PTFE

**Connector 2**

Type	7/16 DIN Male
Inner Conductor Material and Plating	Silver
Coupling Nut Material and Plating	Brass, Nickel
Hex Size, in.	1 1/4
Torque, ft-lbs [Nm]	18.417 [24.97]
Body Material and Plating	Brass, Nickel
Dielectric Type	PTFE

**Compliance Certifications** (visit [www.Pasternack.com](http://www.Pasternack.com) for current document)

RoHS Compliant	Yes
----------------	-----

Click the following link (or enter part number in "SEARCH" on website) to obtain additional part information including price, inventory and certifications: [7/16 DIN Male to 7/16 DIN Male Adapter PE9555](#)

The information contained in this document is accurate to the best of our knowledge and representative of the part described herein. It may be necessary to make modifications to the part and/or the documentation of the part, in order to implement improvements. Pasternack reserves the right to make such changes as required. Unless otherwise stated, all specifications are nominal.





## 7/16 DIN Male to 7/16 DIN Male Adapter

### TECHNICAL DATA SHEET

PE9555

#### Plotted and Other Data

Notes:

Values at 25 °C, sea level

7/16 DIN Male to 7/16 DIN Male Adapter from Pasternack Enterprises has same day shipment for domestic and International orders. Our RF, microwave and fiber optic products maintain a 99% availability and are part of the broadest selection in the industry.

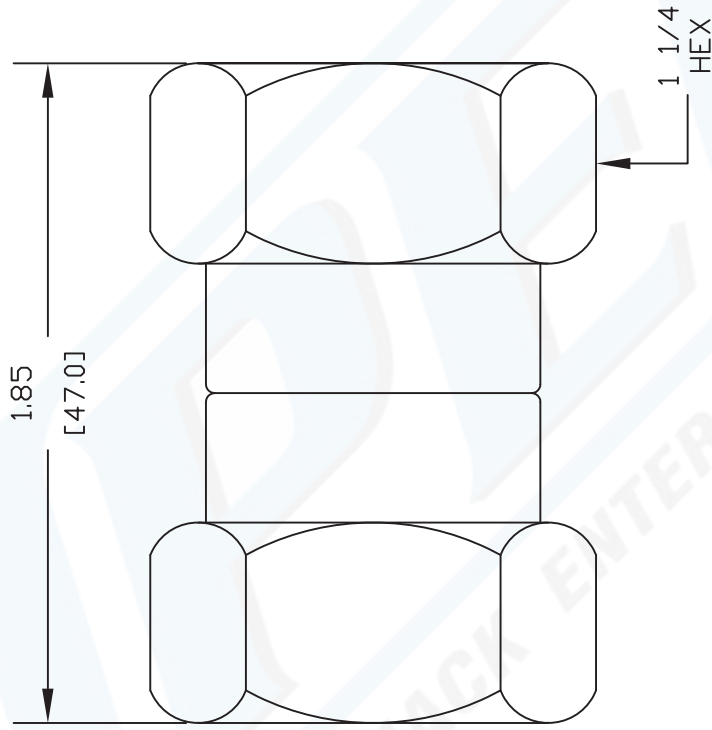
Click the following link (or enter part number in "SEARCH" on website) to obtain additional part information including price, inventory and certifications: [7/16 DIN Male to 7/16 DIN Male Adapter PE9555](http://www.pasternack.com/7-16-din-male-7-16-din-male-straight-adapter-pe9555-p.aspx)

URL: <http://www.pasternack.com/7-16-din-male-7-16-din-male-straight-adapter-pe9555-p.aspx>

The information contained in this document is accurate to the best of our knowledge and representative of the part described herein. It may be necessary to make modifications to the part and/or the documentation of the part, in order to implement improvements. Pasternack reserves the right to make such changes as required. Unless otherwise stated, all specifications are nominal.



**PE9555 CAD Drawing**  
7/16 DIN Male to 7/16 DIN Male Adapter



NOTES:  
 1. UNLESS OTHERWISE SPECIFIED ALL DIMENSIONS ARE NOMINAL.  
 2. ALL SPECIFICATIONS ARE SUBJECT TO CHANGE WITHOUT NOTICE AT ANY TIME.  
 3. DIMENSIONS ARE IN INCHES [mm].

DWG TITLE  
**PE9555**

**PASTERNAK ENTERPRISES, INC.**  
 P.O. BOX 16759, IRVINE, CA 92623  
 PHONE (949) 261-1920 FAX (949) 261-7451  
 WEB ADDRESS: [www.pasternack.com](http://www.pasternack.com)  
 E-MAIL ADDRESS: [sales@pasternack.com](mailto:sales@pasternack.com)  
**COAXIAL & FIBER OPTICS**



REV. -	FSCM NO. 53919	CAD FILE 100102	SCALE N/A	SIZE A	127
--------	----------------	-----------------	-----------	--------	-----