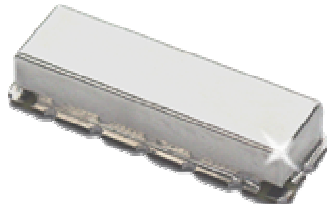


KR Electronics 2538 Bandpass Filter

General Description

KR 2538 is a 85 MHz surface mount bandpass filter. Other center frequencies and bandwidths available. Please consult the factory.

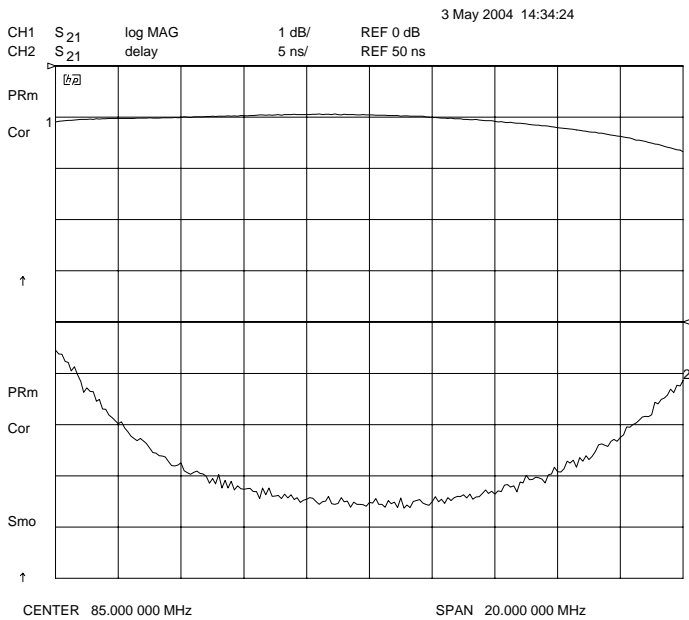


Features

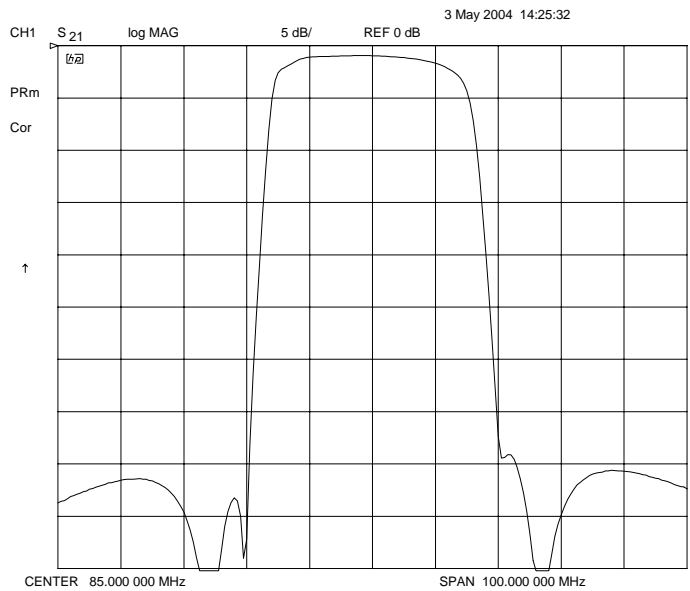
- Surface Mount Package
- Sharp Transition to Stopband
- 20 MHz 1 dB Bandwidth
- 50 Ω Source and Load

Typical Performance

Passband Amplitude & Group Delay
(1 dB/div and 5 nsec/div)



Overall Response
(5 dB/div)



KR Electronics, Inc.
91 Avenel Street
Avenel, NJ 07001

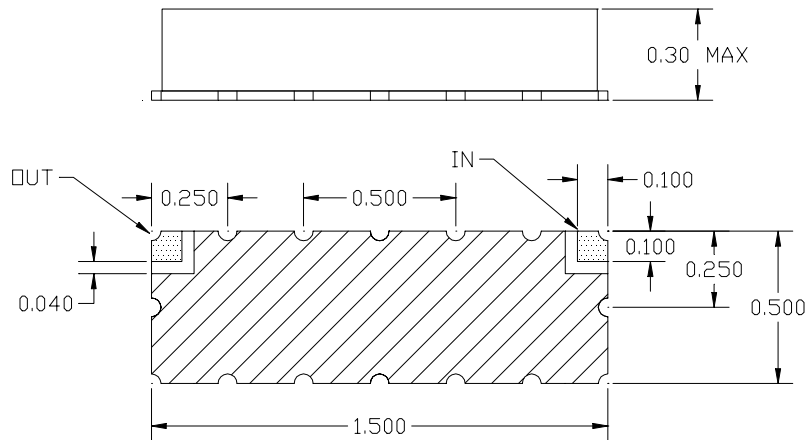
Web www.krfilters.com
Email sales@krfilters.com
Phone (732) 636-1900
Fax (732) 636-1982

KR Electronics 2538 Bandpass

Specifications

Parameter	Specification
Filter type	Bandpass
Center Frequency	85 MHz
Insertion Loss	< 4 dB (1 dB typical)
Min 1 dB Bandwidth	20 MHz
Attenuation at 65 MHz & below	> 35 dB
Attenuation 105 MHz & above	> 27 dB
Source and Load	50 Ω

Physical Dimensions



Notes:

1. Surface mount package — Metal cover, open frame
2. Dimensions in inches
3. Use SN60 or SN63 solder during installation
4. If boards are cleaned after installation, units must be completely dried to remove any entrapped moisture that will effect electrical performance