

ISSUE 11; July 2015

Description

- PLL based, one time only factory programmable for a fast lead time
- Crystal oscillator in a hermetically sealed ceramic package with a metal lid
- See CFPS-73 for our standard crystal oscillator alternative



Frequency Parameters

- Frequency: 1.0MHz to 133.0MHz
- Frequency Stability: $\pm 25.00\text{ppm}$ to $\pm 100.00\text{ppm}$
- Ageing: $\pm 5\text{ppm}$ max in 1st year @ 25°C

Electrical Parameters

- Supply Voltage: 3.3V $\pm 0.3\text{V}$

Operating Temperature Ranges

- 0 to 70°C
- 40 to 85°C

Output Details

- Output Compatibility: CMOS
- Logic '1' to pad 1 enables oscillator output
- Logic '0' to pad 1 disables oscillator output; when disabled the oscillator output goes to the high impedance state
- No connection to pad 1 enables oscillator output

Drive Capability	
0.0MHz to 40.0MHz	30pF max
40.0MHz to 133.0MHz	15pF max

Noise Parameters

- Jitter pk-pk:
 - 1 to 33MHz: 250ps max
 - >33MHz: 175ps max
- Jitter pk-pk:
 - 1 to 33MHz: 100ps typ
 - >33MHz: 75ps typ

Environmental Parameters

- Storage Temperature Range: -55 to 125°C

Ordering Information

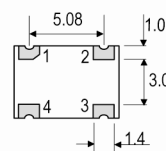
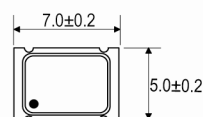
- Frequency*
- Model*
- Output Compatibility
- Frequency Stability (over operating temperature range)*
- Operating Temperature Range*
- Supply Voltage
- Example: 20.0MHz CFPP-73 CMOS $\pm 50\text{ppm}$ -40 to 85C 3.3V

Compliance

- RoHS Status (2011/65/EU): Compliant
- REACH Status: Compliant
- MSL Rating (JDEC-STD-033): Not Applicable



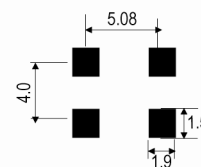
Outline (mm)



Underside View

- Pad Connections
- N/C or Tri-State
 - GND
 - Output
 - +VS

Solder Pad Layout



Sales Office Contact Details:

UK: +44 (0)1460 270200

Germany: 0800 1808 443

France: 0800 901 383

USA: +1 408.273.4530

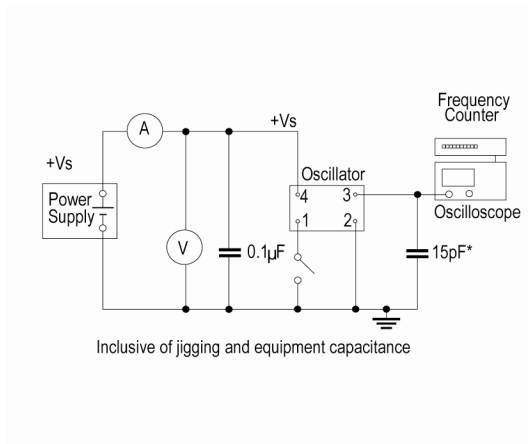
Email: info@iqdfrequencyproducts.com

Web: www.iqdfrequencyproducts.com

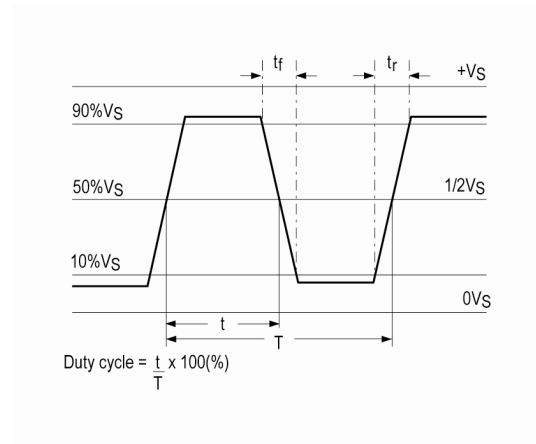
Packaging Details

- Pack Style: R500 Tape & reel in accordance with EIA-481-D
Pack Size: 500
- Pack Style: R250
Pack Size: 250
- Pack Style: Bulk Loose in bulk pack
Pack Size: 1
- Pack Style: Reel Tape & reel in accordance with EIA-481-D
Pack Size: 1,000
- Pack Style: Cutt In tape, cut from a reel
Pack Size: 1

Test Circuit



Wave Form



Electrical Specification - maximum limiting values 3.3V ±0.3V

Frequency Min	Frequency Max	Temperature Range	Stability (Min)	Current Draw	Rise and Fall Time	Duty Cycle
		°C	ppm	mA	ns	%
1.0MHz	40.0MHz	0 to 70 -40 to 85	±25.0 ±25.0	25 25	4 4	45/55 45/55
40.000001MHz	66.0MHz	0 to 70 -40 to 85	±25.0 ±25.0	25 25	4 4	45/55 45/55
66.000001MHz	100.0MHz	0 to 70 -40 to 85	±25.0 ±25.0	25 25	4 4	40/60 40/60
100.000001MHz	133.0MHz	0 to 70 -40 to 85	±25.0 ±25.0	45 45	4 4	40/60 40/60

This document was correct at the time of printing; please contact your local sales office for the latest version.

[Click to view latest version on our website.](#)

Sales Office Contact Details:

UK: +44 (0)1460 270200
Germany: 0800 1808 443

France: 0800 901 383
USA: +1 408.273.4530

Email: info@iqdfrequencyproducts.com
Web: www.iqdfrequencyproducts.com