

OUTPUT A (J2)**Frequency**

80 MHz

Level

+13 dBm ±2 dB into 50 ohms

Phase Noise L(f), Static

100 Hz -132 dBc/Hz

1 kHz -160 dBc/Hz

10 kHz -176 dBc/Hz

100 kHz -176 dBc/Hz

OUTPUT B (J1)**Frequency**

160 MHz

Level

+13 dBm ±2 dB into 50 ohms

Phase Noise L(f), Static

100 Hz -125 dBc/Hz

1 kHz -153 dBc/Hz

10 kHz -169 dBc/Hz

100 kHz -170 dBc/Hz

STABILITY**Aging**1 x 10⁻⁶ first year

after 30 days operating, typical

5 x 10⁻⁷ second year, typical3 x 10⁻⁷ per year thereafter, typical**Temperature Stability**±5 x 10⁻⁷, 0° to +50°C (Ref +25°C)**Harmonics**

≤ -25 dBc

Sub-Harmonics

≤ -50 dBc

Non-Harmonic Spurious

≤ -80 dBc, excluding power supply line related spurs

MECHANICAL**Dimensions**

2" x 2" x 1.3"

Connectors

SMA(f) and solder pins on one side

Packaging

Nickel-plated machined aluminum housing (CVP-2A)

MountingThreaded inserts, # 2-56, 4 places
Tapped holes on sides, 16 places
(provisions for shock mounts)**POWER REQUIREMENTS****Warm-Up Power**

≤ 7 Watts for 5 minutes at +25°C

Total Power

≤ 5 Watts at +25°C

Supply Voltage

+15 VDC ±5%

ADJUSTMENT**Mechanical Tuning**±4 x 10⁻⁶**Electrical Tuning**±2 x 10⁻⁷ min, ±5 VDC

Negative slope

CRYSTAL**Type**

80 MHz SC-cut (x2)

Acceleration Sensitivity≤ 5 x 10⁻¹⁰ /g per axis, typical**ENVIRONMENTAL****Operating Temperature**

0° to +50°C

Storage Temperature

-40° to +85°C

OTHER**Label**

Use conventional label with the following information:

501-26945 (Current Rev.)

80/160 MHz Citrine Plus

+15 VDC

Serial # - Date Code

(Mark connectors with function)

Test Data

Output Level

Phase Noise – Static

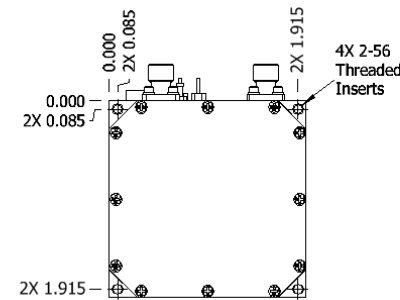
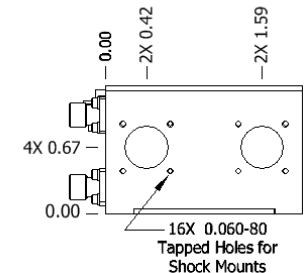
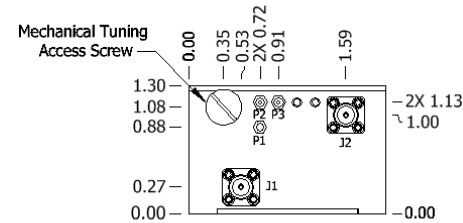
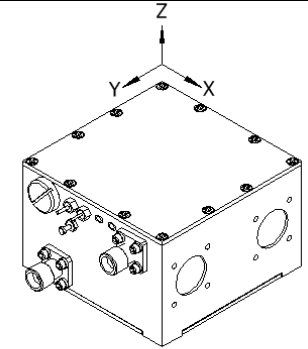
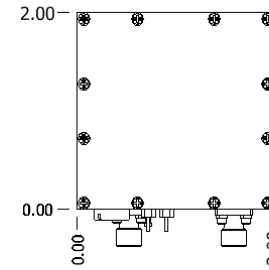
Temperature Stability

Harmonics, Subs, Spurious

Power - Warm-up and Total

Tuning – MT and ET

REV	DATE	REVISION RECORD	DWN	AUTH
-	06-21-13	Initial Release	PAC	



CVP-2A	
Connector	Function
P1	Ground, Case
P2	Supply Voltage
P3	Electrical Tuning
J1	RF Output B
J2	RF Output A

Connector numbers are for reference only and will not be marked on unit.

Wenzel Associates, Inc.

Austin, Texas

Title:

Premium 80/160 MHz Citrine Plus Crystal Oscillator

P/N:

501-26945

Rev:

-

Date:

06-21-13

Drawn:

Ref:

ULN

Tolerances:
(except as noted)
Dimensions are in inches

0.XX Dec:

±0.030"

0.XXX Dec:

±0.010"

FSCM:

62821

Page 1 of 1