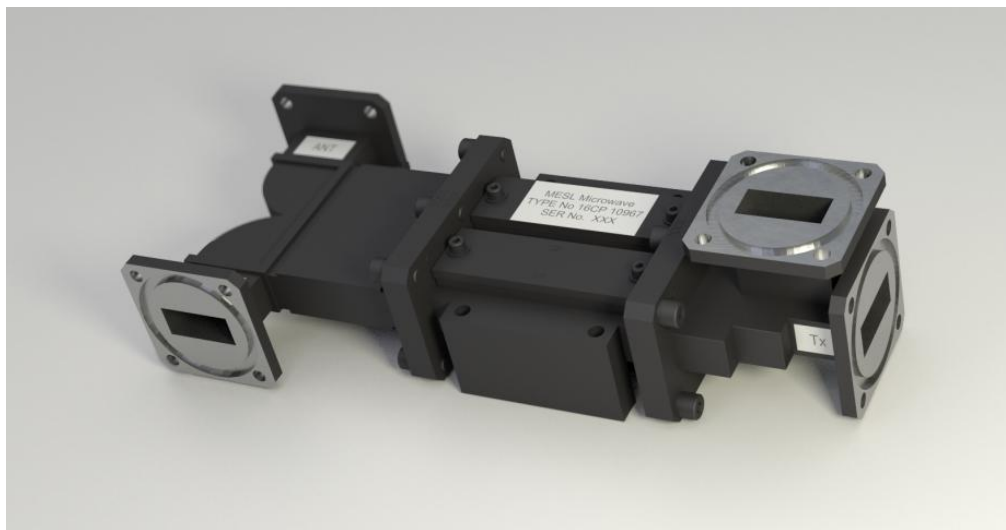


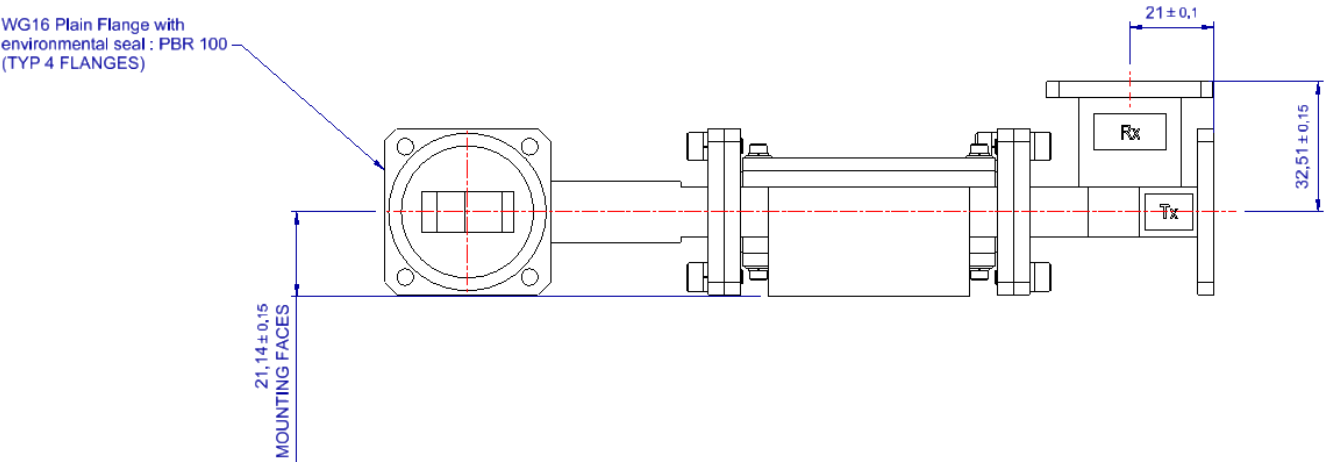
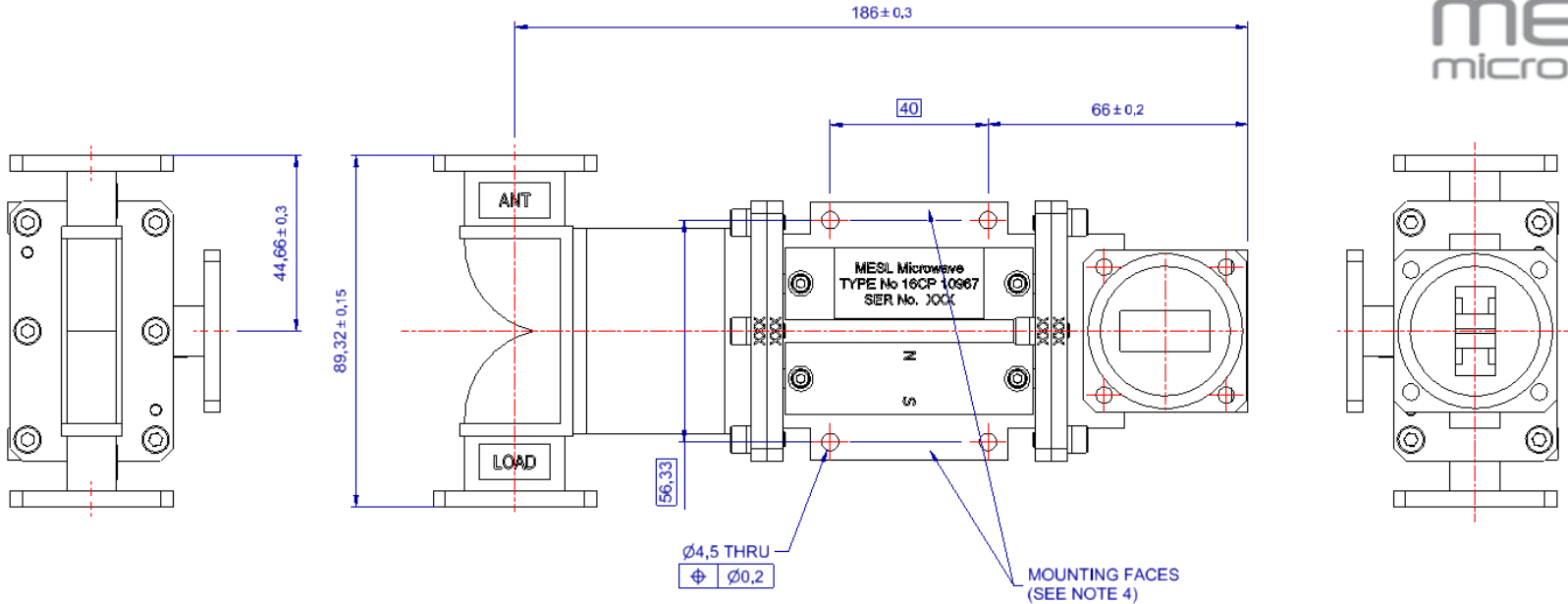
X-Band 4-port Differential Phase-Shift Isolator 16CP 10967



- Compact, light-weight X-band Differential Phase-shift Circulator for airborne radar application

Specification	16CP 10967
Operating Frequency	9.3 to 10GHz
Average Power (W)	450W
Peak Power (kW)	9kW
Return Loss (dB)	23 Min
Isolation (dB)	21 Min
Insertion Loss (dB)	0.25 Max
Waveguide Size	WG16 / WR90
Operating Temp	-30 to +85C
Mass (g)	600 Max

X-Band 4-port Differential Phase-Shift Isolator 16CP 10967



MESL Microwave Ltd
 Lochend Industrial Estate, Newbridge, Edinburgh, Scotland, EH28 8LP
 Tel: +44 (0)131 333 2000
 Fax: +44 (0)131 333 3607
 Email: sales@meslmicrowave.com
 Web: www.meslmicrowave.com

Ref. M347B

This publication is issued for outline information purposes only. MESL Microwave Ltd reserves full rights to amend the specification.