



0 to 1 dB Rotary Step Attenuator, 75 Ohm BNC
Female To 75 Ohm BNC Female With 0.1 dB
Step Rated To 1 Watt Up To 500 MHz

TECHNICAL DATA SHEET

PE7035-1

0 to 1 dB Rotary Step Attenuator, 75 Ohm BNC Female To 75 Ohm BNC Female With 0.1 dB Step Rated To 1 Watt Up To 500 MHz

Configuration

| | |
|-------------|--------------------------------|
| Design | Step, Bidirectional Attenuator |
| Connector 1 | BNC Female |
| Connector 2 | BNC Female |

Electrical Specifications

| | |
|----------------------------|-----------|
| Frequency Range, MHz | DC to 500 |
| Impedance, Ohms | 75 |
| Attenuation Value, dB | 0 to 1 |
| Step Size, dB | 0.1 |
| Step Type | Rotary |
| Maximum Input Power, Watts | 1 |
| Maximum VSWR | 1.3:1 |

Frequency 1

| | |
|--------------------------|-----------|
| Range, MHz | DC to 500 |
| Attenuation Accuracy, dB | ± 0.05 |

Mechanical Specifications

Temperature

| | |
|------------------------|------------|
| Operating Range, deg C | -20 to +85 |
|------------------------|------------|

Size

| | |
|-----------------|-------------|
| Length, in [mm] | 4.5 [114.3] |
| Width, in [mm] | 4 [101.6] |
| Height, in [mm] | 4 [101.6] |

Connector 1

| | |
|------|------------|
| Type | BNC Female |
|------|------------|

Connector 2

| | |
|------|------------|
| Type | BNC Female |
|------|------------|

Click the following link (or enter part number in "SEARCH" on website) to obtain additional part information including price, inventory and certifications: [0 to 1 dB Rotary Step Attenuator, 75 Ohm BNC Female To 75 Ohm BNC Female With 0.1 dB Step Rated To 1 Watt Up To 500 MHz PE7035-1](#)

The information contained in this document is accurate to the best of our knowledge and representative of the part described herein. It may be necessary to make modifications to the part and/or the documentation of the part, in order to implement improvements. Pasternack reserves the right to make such changes as required. Unless otherwise stated, all specifications are nominal.





0 to 1 dB Rotary Step Attenuator, 75 Ohm BNC
Female To 75 Ohm BNC Female With 0.1 dB
Step Rated To 1 Watt Up To 500 MHz

TECHNICAL DATA SHEET

PE7035-1

Compliance Certifications (visit www.Pasternack.com for current document)

Plotted and Other Data

Notes:

Values at 25 °C, sea level

0 to 1 dB Rotary Step Attenuator, 75 Ohm BNC Female To 75 Ohm BNC Female With 0.1 dB Step Rated To 1 Watt Up To 500 MHz from Pasternack Enterprises has same day shipment for domestic and International orders. Our RF, microwave and fiber optic products maintain a 99% availability and are part of the broadest selection in the industry.

Click the following link (or enter part number in "SEARCH" on website) to obtain additional part information including price, inventory and certifications: [0 to 1 dB Rotary Step Attenuator, 75 Ohm BNC Female To 75 Ohm BNC Female With 0.1 dB Step Rated To 1 Watt Up To 500 MHz PE7035-1](http://www.pasternack.com/1db-step-bnc-female-bnc-female-1-watt-attenuator-pe7035-1-p.aspx)

URL: <http://www.pasternack.com/1db-step-bnc-female-bnc-female-1-watt-attenuator-pe7035-1-p.aspx>

The information contained in this document is accurate to the best of our knowledge and representative of the part described herein. It may be necessary to make modifications to the part and/or the documentation of the part, in order to implement improvements. Pasternack reserves the right to make such changes as required. Unless otherwise stated, all specifications are nominal.

PE7035-1 CAD Drawing

0 to 1 dB Rotary Step Attenuator, 75 Ohm BNC Female To 75 Ohm BNC Female With 0.1 dB Step Rated To 1 Watt Up To 500 MHz

| P/N | MAX. ATTEN. | STEP SIZE | LENGTH (L) | DIA. (D) | A | B | FIGURE |
|----------|-------------|-----------|--------------|--------------|--------------|--------------|--------|
| PE7035-1 | 1 dB | .1 | 2.00" [50.8] | 1.50" [38.1] | 0.77" [19.6] | 0.83" [21.1] | 1 |
| PE7035-2 | 10 dB | 1 | 2.00" [50.8] | 1.50" [38.1] | 0.77" [19.6] | 0.83" [21.1] | 1 |
| PE7035-3 | 70 dB | 10 | 2.67" [67.8] | 1.50" [38.1] | 1.44" [36.6] | 0.83" [21.1] | 1 |
| PE7035-4 | 10 dB | 1 | 2.00" [50.8] | 1.50" [38.1] | 0.77" [19.6] | 0.83" [21.1] | 1 |
| PE7035-5 | 1 dB | .1 | 2.00" [50.8] | 1.50" [38.1] | 0.77" [19.6] | 0.83" [21.1] | 1 |

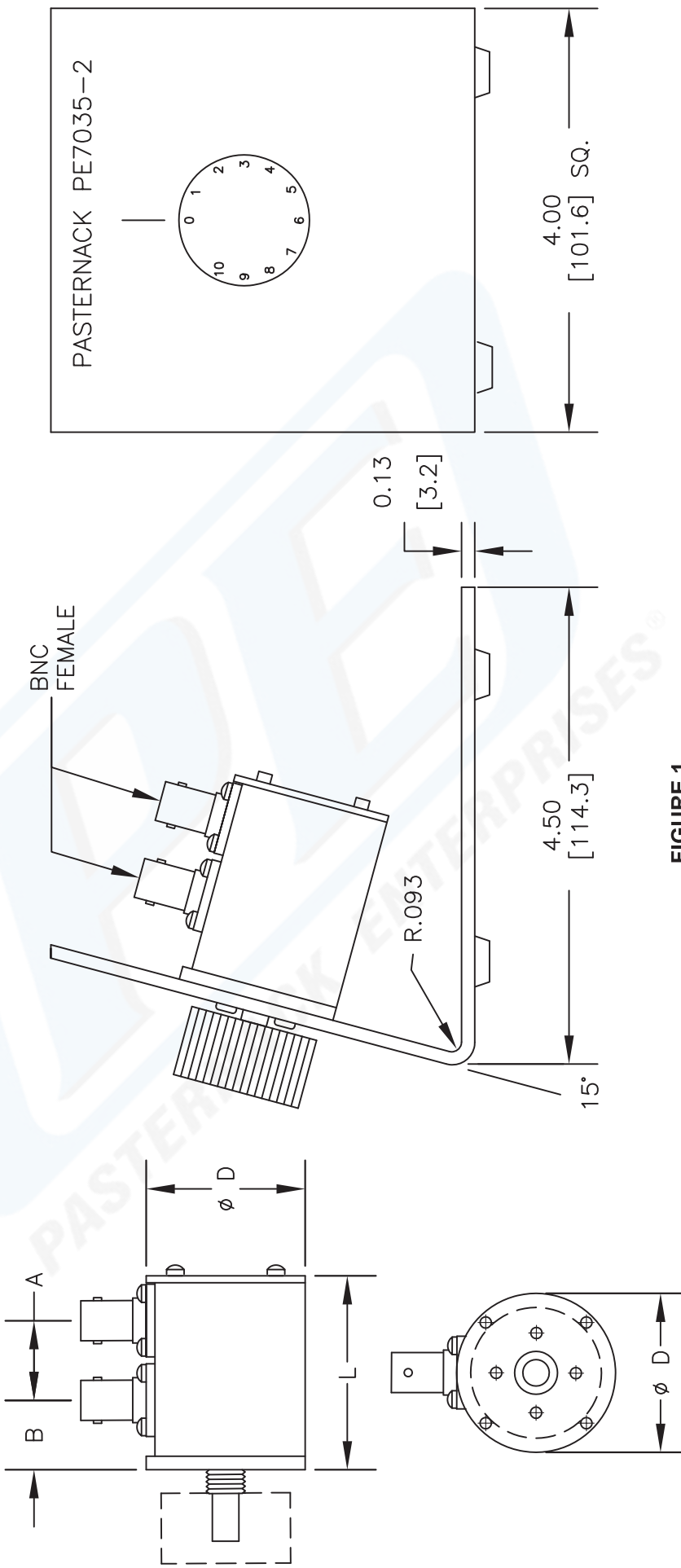


FIGURE 1

DWG TITLE

PE7035

NOTES:
 1. UNLESS OTHERWISE SPECIFIED ALL DIMENSIONS ARE NOMINAL.
 2. ALL SPECIFICATIONS ARE SUBJECT TO CHANGE WITHOUT NOTICE AT ANY TIME.
 3. DIMENSIONS ARE IN INCHES [mm].

PASTERNACK®
 Pasternack Enterprises, Inc.
 P.O. Box 16759 | Irvine | CA | 92623
 Phone: (949) 261-1920 | Fax: (949) 261-7451
 Website: www.pasternack.com | E-Mail: sales@pasternack.com

FSCM NO. 53919

CAD FILE 030513

SCALE N/A

SIZE A

2231