



EUROPEAN ANTENNAS

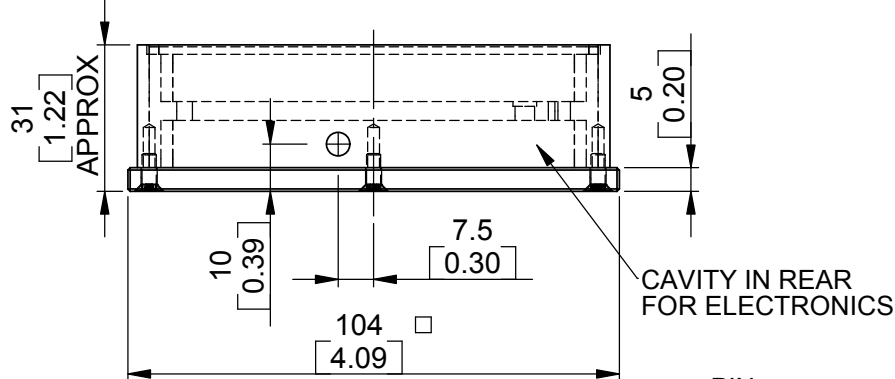
Excellence through design
Creative in concept

LOW PROFILE ANTENNA

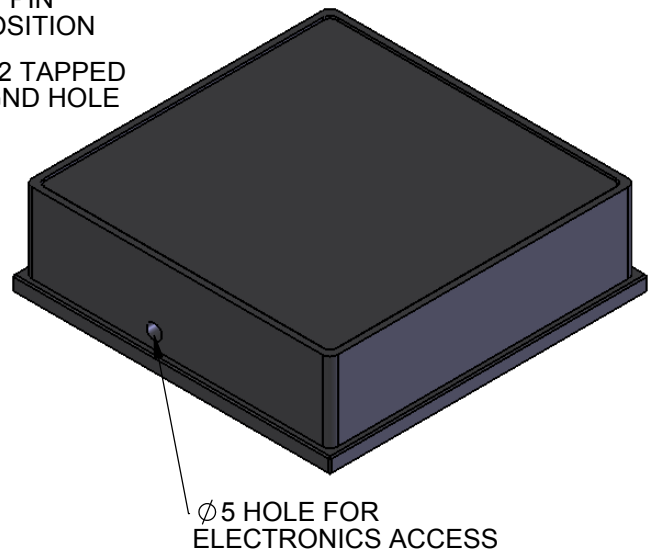
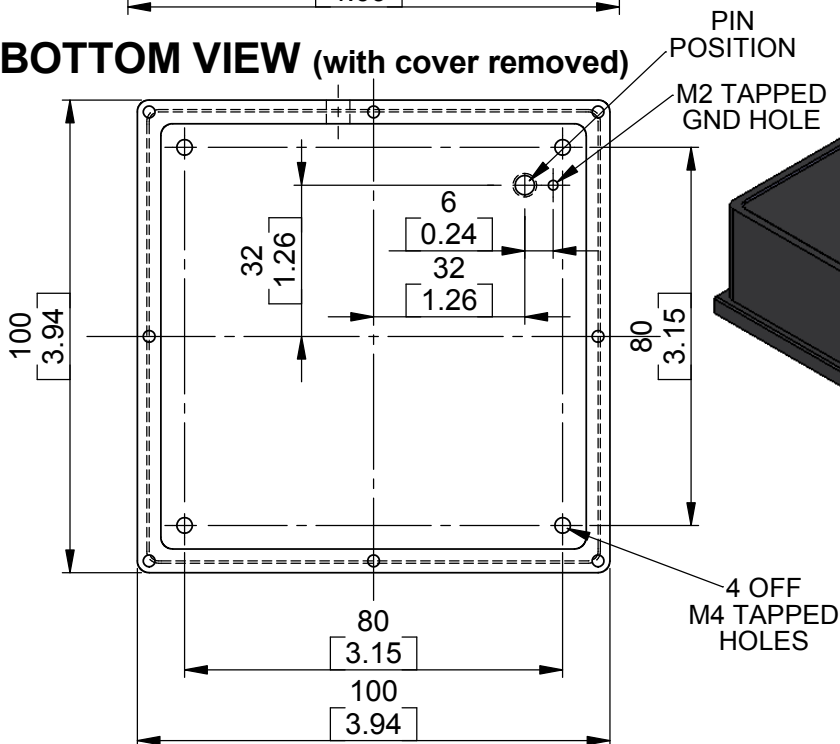
MODEL: LPA7-2.45R/1312

FREQUENCY:	2.4 - 2.5 GHz	GAIN:	8 dBiC Nominal
POLARISATION:	Right Hand Circular	HP BEAMWIDTH:	60° (Az) x 62° (El)
AXIAL RATIO:	3 dB Typical	10dB BEAMWIDTH:	120° (Az) x 120° (El)
POWER RATING:	10 W	VSWR:	1.5:1
TEMPERATURE:	-40° to +60°C	FRONT TO BACK:	>25 dB
FINISH:	Matt Black	MASS:	425g / 0.93 lbs Approx
		WIND LOADING:	1.62 Kg / 3.57 lbs @ 100 mph

FRONT VIEW



BOTTOM VIEW (with cover removed)



ISOMETRIC VIEW

GA: 1312-1 | Issued: 010806 | DIMENSIONS: mm [inches] | M

EUROPEAN ANTENNAS LTD.
LAMBDA HOUSE, CHEVELEY
NEWMARKET, SUFFOLK, CB8 9RG,
UNITED KINGDOM



Certificate No 9268

Tel: +44 (0)1638 731888
Fax: +44 (0)1638 731999
E-Mail: sales@european-antennas.co.uk
Website: www.european-antennas.co.uk