



N Female to N Female Right Angle Bulkhead Adapter

TECHNICAL DATA SHEET

PE9541

N Female to N Female Right Angle Bulkhead Adapter

Configuration

| | |
|---------------------------|-------------|
| Connector 1 | N Female |
| Impedance 1 | 50 Ohms |
| Connector Specification 1 | MIL-STD-348 |
| Connector 2 | N Female |
| Impedance 2 | 50 Ohms |
| Connector Specification 2 | MIL-STD-348 |
| Adapter Design | Standard |
| Body Style | Right Angle |
| Mount Method | Bulkhead |

Electrical Specifications

| | |
|---------------------------------------|---------|
| Frequency Range, GHz | DC to 6 |
| Dielectric Withstanding Voltage, Vrms | 2,000 |

Mechanical Specifications

Temperature

| | |
|------------------------|-------------|
| Operating Range, deg C | -65 to +165 |
|------------------------|-------------|

Size

| | |
|---------------------|---------------|
| Length, in [mm] | 2.028 [51.51] |
| Width/Dia., in [mm] | 0.87 [22.1] |
| Height, in [mm] | 1.457 [37.01] |

Connector 1

| | |
|--------------------------------------|------------------------|
| Type | N Female |
| Inner Conductor Material and Plating | Beryllium Copper, Gold |
| Body Material and Plating | Brass, Nickel |
| Dielectric Type | PTFE |

Connector 2

| | |
|--------------------------------------|------------------------|
| Type | N Female |
| Inner Conductor Material and Plating | Beryllium Copper, Gold |
| Body Material and Plating | Brass, Nickel |
| Dielectric Type | PTFE |

Compliance Certifications (visit www.Pasternack.com for current document)

| | |
|----------------|-----|
| RoHS Compliant | Yes |
|----------------|-----|

Click the following link (or enter part number in "SEARCH" on website) to obtain additional part information including price, inventory and certifications: [N Female to N Female Right Angle Bulkhead Adapter PE9541](#)

The information contained in this document is accurate to the best of our knowledge and representative of the part described herein. It may be necessary to make modifications to the part and/or the documentation of the part, in order to implement improvements. Pasternack reserves the right to make such changes as required. Unless otherwise stated, all specifications are nominal.





N Female to N Female Right Angle Bulkhead Adapter

TECHNICAL DATA SHEET

PE9541

Plotted and Other Data

Notes:

Values at 25 °C, sea level

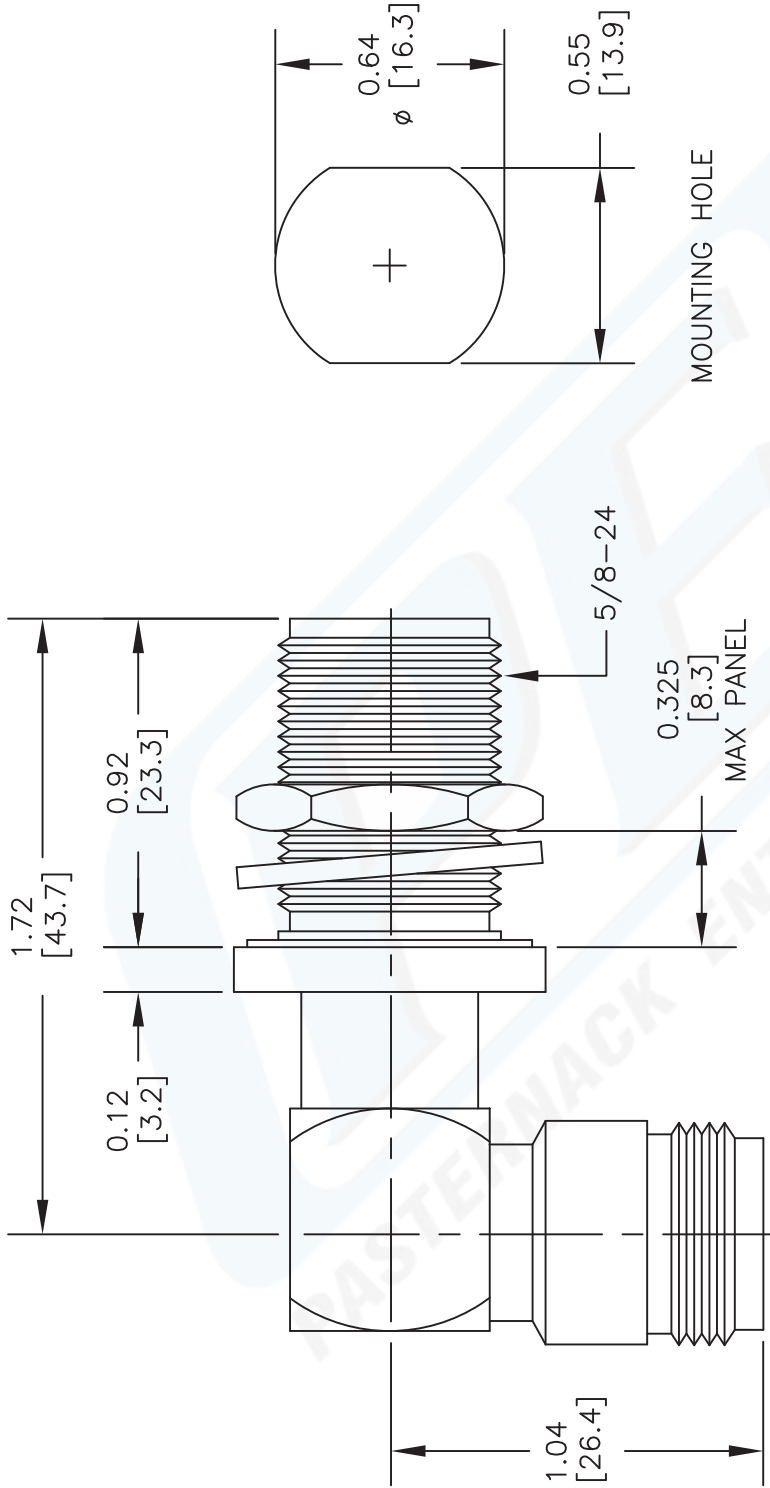
URL: <http://www.pasternack.com/n-female-n-female-right-angle-adapter-pe9541-p.aspx>

N Female to N Female Right Angle Bulkhead Adapter from Pasternack Enterprises has same day shipment for domestic and International orders. Our RF, microwave and fiber optic products maintain a 99% availability and are part of the broadest selection in the industry.

The information contained in this document is accurate to the best of our knowledge and representative of the part described herein. It may be necessary to make modifications to the part and/or the documentation of the part, in order to implement improvements. Pasternack reserves the right to make such changes as required. Unless otherwise stated, all specifications are nominal.

PE9541 CAD Drawing

N Female to N Female Right Angle Bulkhead Adapter



MOUNTING HOLE

DWG TITLE

PE9541

PASTERNAK ENTERPRISES, INC.

P.O. BOX 16759, IRVINE, CA 92623
 PHONE (949) 261-1920 FAX (949) 261-7451

WEB ADDRESS: www.pasternack.com
 E-MAIL ADDRESS: sales@pasternack.com

COAXIAL & FIBER OPTICS



NOTES:
 1. UNLESS OTHERWISE SPECIFIED ALL DIMENSIONS ARE NOMINAL.
 2. ALL SPECIFICATIONS ARE SUBJECT TO CHANGE WITHOUT NOTICE AT ANY TIME.
 3. DIMENSIONS ARE IN INCHES [mm].

FSCM NO. 53919

CAD FILE 091312-A

SCALE N/A

SIZE A

2233