

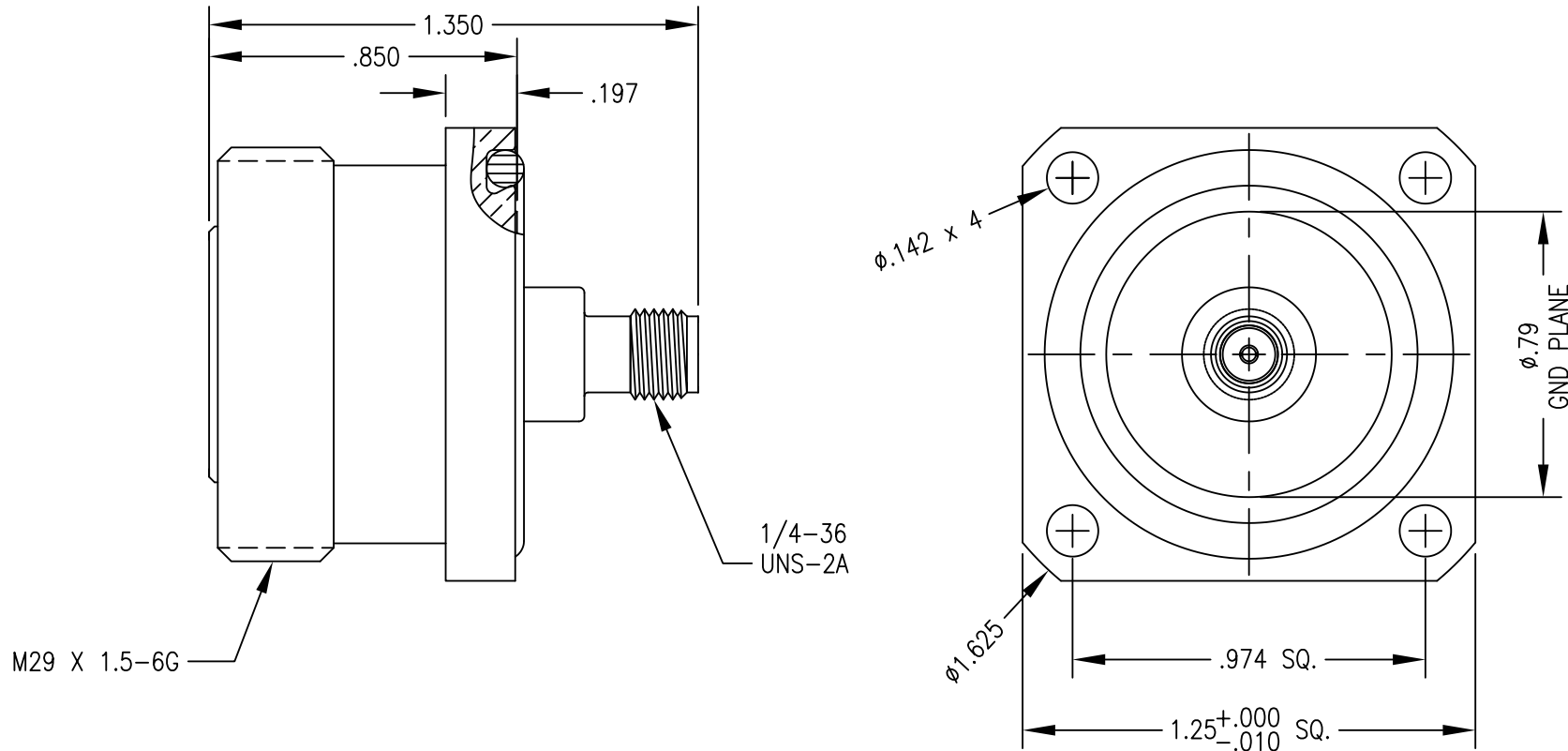
- 1.0 PERFORMANCE (sea level)
- 1.1 FREQUENCY RANGE: DC-8 GHz
- 1.2 NOMINAL IMPEDANCE: 50 OHMS
- 1.3 VSWR < 1.05 + .02*F
- 1.4 DWV: 1.5kV
- 1.5 TEMPERATURE RANGE: -55/+155°C
- 1.6 PIM < -170 dBc TYPICAL

- 2.0 MATERIALS: RoHS
- 2.1 BODY: BRASS
- 2.2 DIELECTRIC: PTFE
- 2.3 CONTACT: BeCu
- 2.4 O-RING: Si RUBBER
- 3.0 FINISH: SEE TABLE

- 4.0 MECHANICAL
- 4.1 INTERFACES PER IEC 164-4 (ø.533 ENHANCED) MIL-STD-348

DWG NO. OL-0910-48-1		REV. F
PART NUMBER	BODY	CONTACT
0910-48	OBSOLETE	
0910-48-AS	ALBALOY	SILVER
0910-48-BS	ALBALOY/Ag	SILVER
0910-48-SS	SILVER	SILVER

PLATING PER SAN-TRON SPEC. 7.3.1-8



F	CORRECT NOTES AND TITLE	NEW	2/23/11	RJG	FSH
E	REDESIGN TO 1 PC BODY	NEW	6/25/10	JTH	FSH
D	ADD VSWR SPEC	NEW	3/1/07	FSH	FSH
C	WAS: ... -65° C TO +165° C	NEW	2/1/02	JMB	JO
B	WAS ø.142, ADDED O-RING	NEW	8/14/97	KC	JTO
A	ORIGINAL	NEW	8/7/97		
Rev.	Revisions	Disp.	Date	Dwn.	Appd.

THIS DRAWING CONTAINS CONFIDENTIAL INFORMATION PROPRIETARY TO SAN-TRON, INC. IT MUST NOT BE REPRODUCED OR DISCLOSED TO OTHERS OR USED IN ANY OTHER WAY, IN WHOLE OR PART EXCEPT AS AUTHORIZED IN WRITING BY SAN-TRON, INC.

UNLESS OTHERWISE SPECIFIED:
ALL DIMENSIONS ARE IN INCHES.
ALL DIMENSIONS ARE AFTER PLATING.
.XXX = ±.005 ALL MACHINED SURFACES 64/ MAX.
.XX = ±.01 ANG. ±1/2° FRACTIONAL = ±1/64

Ⓢ.004 MAX. TIR. ⊥ AXIS .001

THIRD ANGLE PROJECTION

DWN	JTH	6/24/10
CHKD	FSH	6/25/10
APPR	FSH	6/25/10

SAN-TRON, INC.
 4 NEWBURYPORT TPK. IPSWICH MA USA 01938
 TEL: 978 - 356 -1585 FAX: 978 - 356 -1573
 WWW.santron.com E MAIL: santron@santron.com

San-Tron

TITLE
ADAPTER, STRAIGHT, 7/16 (F) TO SMA (F)

MATERIAL:
 **

FINISH:
 SEE TABLE

CAGE CODE: 50896 DWG NO. OL-0910-48-1 REV. F

SCALE X:X