



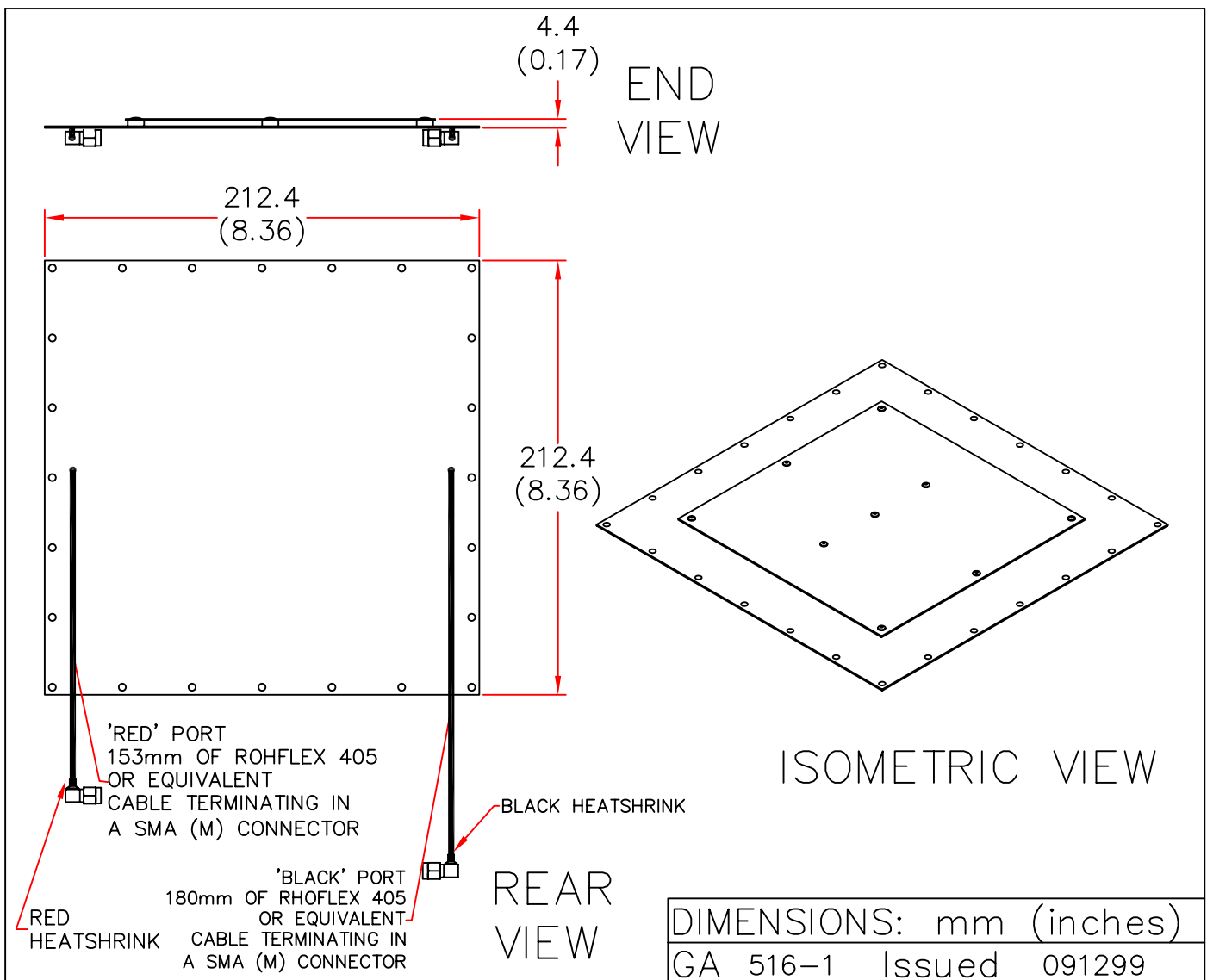
EUROPEAN ANTENNAS



FLAT PANEL ANTENNA

MODEL: FPA19-55VH-D2/516

FREQUENCY: 5.250-5.825 GHz	GAIN: 17dBi Nominal
POLARISATION: Linear (V&H)	BEAMWIDTH: 20° x 20°
CROSS POLAR: 30dB Typical	VSWR: 1.9:1 at band edges & 1.7:1 over 90% of band
POWER RATING: 5W	FRONT TO BACK: < 30dB
TEMPERATURE: -20°C to +50°C	MASS: 175g/6.140z



EUROPEAN ANTENNAS LTD.

TEL: +44 (0)1638 731888

LAMBDA HOUSE, CHEVELEY,
NEWMARKET, SUFFOLK, CB8 9RG,
UNITED KINGDOM.

FAX: +44 (0)1638 731999

European Antennas Ltd. has a policy of continuous development and therefore stress that the data contained on this sheet should be used for guidance only.