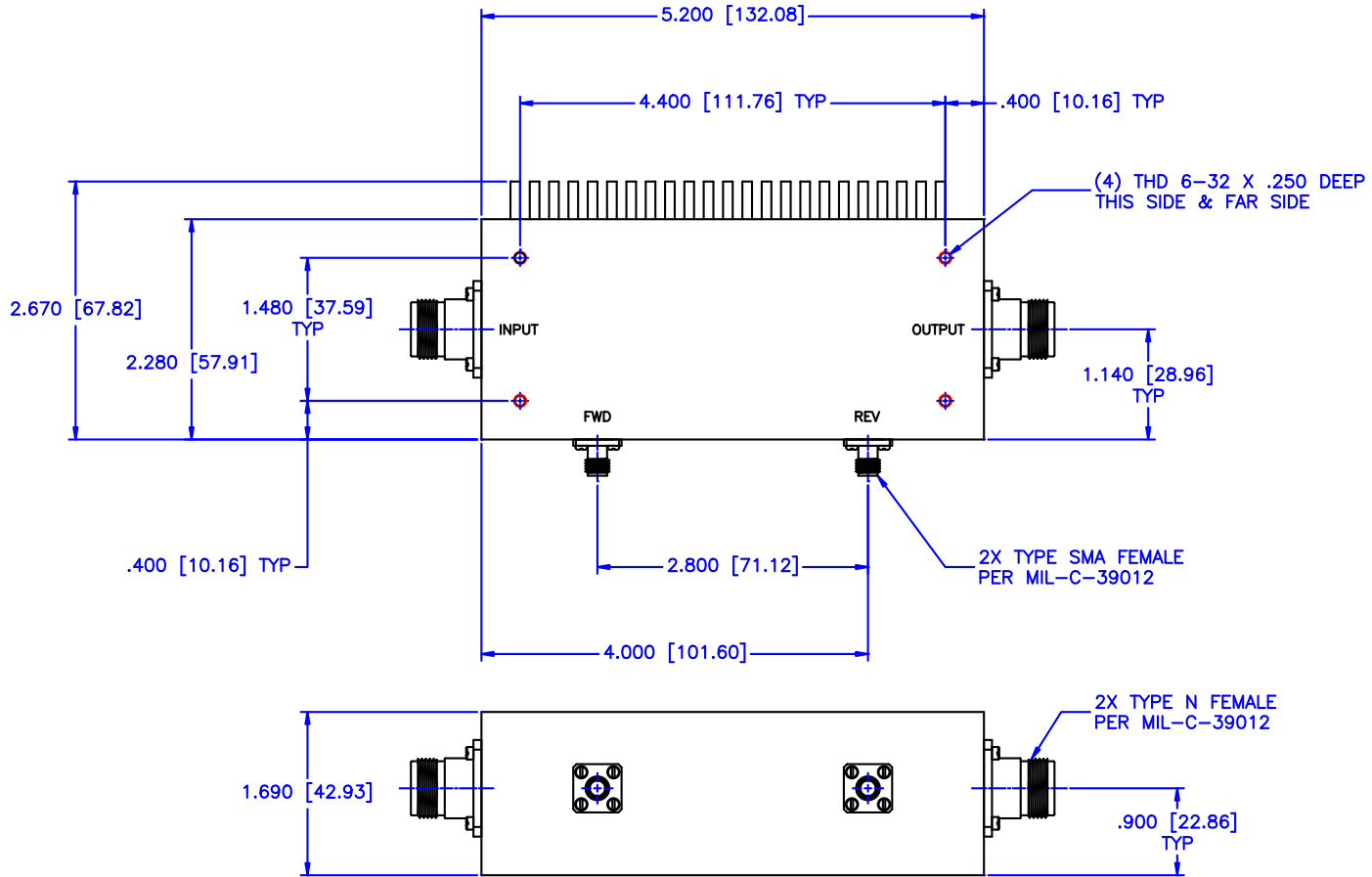


REVISIONS				
ZONE	REV	DESCRIPTION	DATE	APPROVED



SPECIFICATIONS:

- FREQUENCY RANGE: 20 to 500 MHz
- FLATNESS: ± 0.50 dB MAX.
- INSERTION LOSS: 0.90dB Max.
- DIRECTIVITY: 20dB Min.
- VSWR: 1.20:1 Max.
- POWER: 100 Watts CW

MATERIAL:		MCLI MICROWAVE COMMUNICATIONS LABORATORIES INC. 7255 30TH AVE. N. SAINT PETERSBURG, FL 33710 TEL: (727) 344-6254 FAX: (727) 381-6116 http://WWW.MCLI.COM	SCALE: N/A
DRAWN: Piaboon Luekhamhan			SHEET: N/A
DATE: 03-25-2009		UNLESS OTHERWISE SPECIFIED: TOLERANCES IN (INCHES) OR [mm] (MILLIMETERS) FRACTIONS: $\pm 1/64$ DECIMALS: $\pm 0.01 \pm 0.005$ ANGLE: $\pm 1/2^\circ$	DRAWING TITLE: HIGH POWER DUAL DIRECTIONAL COUPLER
APPROVED: T. Nguyen		DATE: 03-25-2009	PART NO.: HDL-26-30
THIRD ANGLE PROJECTION		CAGE CODE: OD2L5	SIZE: C REV: N/A DWG NO.: 84350
			DO NOT SCALE THE DRAWING