



Precision 2.92mm Male to 2.92mm Female Right Angle Adapter

TECHNICAL DATA SHEET

PE9644

**Precision 2.92mm Male to 2.92mm Female Right Angle Adapter**

**Configuration**

Connector 1	2.92mm Male
Impedance 1	50 Ohms
Connector 2	2.92mm Female
Impedance 2	50 Ohms
Adapter Design	Precision
Body Style	Right Angle

**Electrical Specifications**

Frequency Range, GHz	DC to 40
Maximum VSWR	1.4:1

**Mechanical Specifications**

**Size**

Length, in [mm]	0.673 [17.09]
Width/Dia., in [mm]	0.312 [7.92]
Height, in [mm]	0.626 [15.9]

**Connector 1**

Type	2.92mm Male
Inner Conductor Material and Plating	Beryllium Copper, Gold
Inner Conductor Plating Specification	MIL-G-45204, Type II, Grade C, Class 1
Coupling Nut Material and Plating	Passivated Stainless Steel
Coupling Nut Plating Specification	ASTM-A-967
Hex Size, in.	5/16
Torque, in-lbs [Nm]	8 [0.9]
Body Material and Plating	Passivated Stainless Steel
Body Plating Specification	ASTM-A-967
Dielectric Type	Noryl

**Connector 2**

Type	2.92mm Female
Inner Conductor Material and Plating	Beryllium Copper, Gold
Inner Conductor Plating Specification	MIL-G-45204, Type II, Grade C, Class 1
Body Material and Plating	Passivated Stainless Steel
Body Plating Specification	ASTM-A-967
Dielectric Type	Noryl

**Compliance Certifications** (visit [www.Pasternack.com](http://www.Pasternack.com) for current document)

RoHS Compliant	Yes
----------------	-----

Click the following link (or enter part number in "SEARCH" on website) to obtain additional part information including price, inventory and certifications: [Precision 2.92mm Male to 2.92mm Female Right Angle Adapter PE9644](#)

The information contained in this document is accurate to the best of our knowledge and representative of the part described herein. It may be necessary to make modifications to the part and/or the documentation of the part, in order to implement improvements. Pasternack reserves the right to make such changes as required. Unless otherwise stated, all specifications are nominal.





## Precision 2.92mm Male to 2.92mm Female Right Angle Adapter

### TECHNICAL DATA SHEET

PE9644

#### Plotted and Other Data

Notes:

Values at 25 °C, sea level

Precision 2.92mm Male to 2.92mm Female Right Angle Adapter from Pasternack Enterprises has same day shipment for domestic and International orders. Our RF, microwave and fiber optic products maintain a 99% availability and are part of the broadest selection in the industry.

Click the following link (or enter part number in "SEARCH" on website) to obtain additional part information including price, inventory and certifications: [Precision 2.92mm Male to 2.92mm Female Right Angle Adapter PE9644](http://www.pasternack.com/2.92mm-male-2.92mm-female-right-angle-adapter-pe9644-p.aspx)

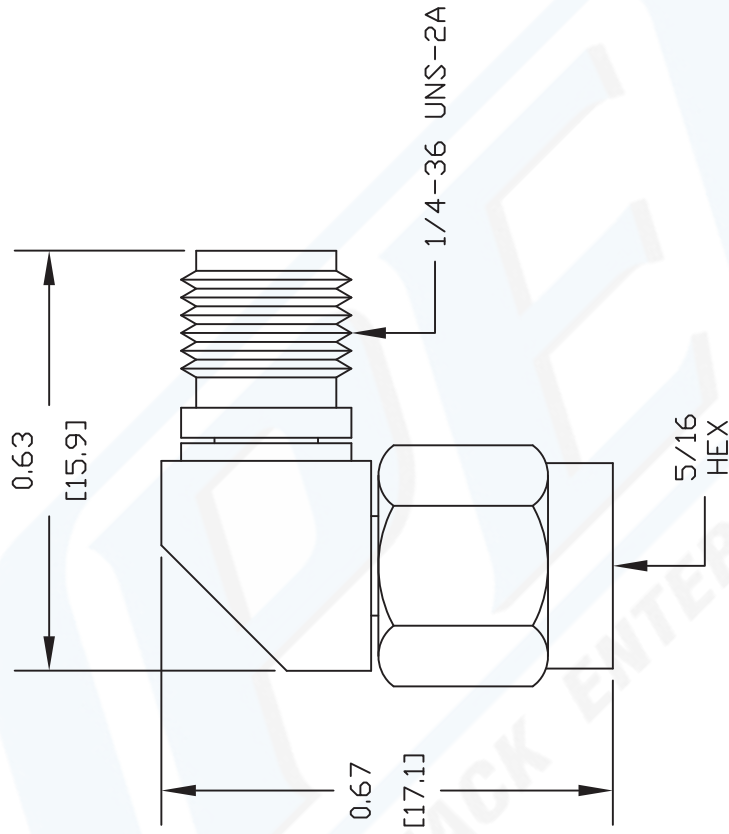
URL: <http://www.pasternack.com/2.92mm-male-2.92mm-female-right-angle-adapter-pe9644-p.aspx>

The information contained in this document is accurate to the best of our knowledge and representative of the part described herein. It may be necessary to make modifications to the part and/or the documentation of the part, in order to implement improvements. Pasternack reserves the right to make such changes as required. Unless otherwise stated, all specifications are nominal.



# PE9644 CAD Drawing

Precision 2.92mm Male to 2.92mm Female Right Angle Adapter



DWG TITLE

**PE9644**

NOTES:  
1. UNLESS OTHERWISE SPECIFIED ALL DIMENSIONS ARE NOMINAL.  
2. ALL SPECIFICATIONS ARE SUBJECT TO CHANGE WITHOUT NOTICE AT ANY TIME.  
3. DIMENSIONS ARE IN INCHES [mm].

REV. -

FSCM NO. 53919

CAD FILE 010903

SCALE N/A

SIZE A

127

**PE PASTERNAK®**

Pasternack Enterprises, Inc.  
P.O. Box 16759 | Irvine | CA | 92623  
Phone: (949) 261-1920 | Fax: (949) 261-7451  
Website: [www.pasternack.com](http://www.pasternack.com) | E-Mail: [sales@pasternack.com](mailto:sales@pasternack.com)