



Precision 2.92mm Male to 2.92mm Female
 Radius Right Angle Adapter Up To 40GHz

TECHNICAL DATA SHEET

PE91070

Precision 2.92mm Male to 2.92mm Female Radius Right Angle Adapter Up To 40GHz

Configuration

Connector 1	2.92mm Male
Impedance 1	50 Ohms
Connector Specification 1	MIL-STD-348
Connector 2	2.92mm Female
Impedance 2	50 Ohms
Connector Specification 2	MIL-STD-348
Adapter Design	Precision
Body Style	Radius Right Angle

Electrical Specifications

Frequency Range, GHz	DC to 40
Maximum VSWR	1.5:1
Maximum Insertion Loss, dB	0.5
Maximum Operating Voltage, Volts	500
Dielectric Withstanding Voltage, Vrms	1,500

Mechanical Specifications

Temperature

Operating Range, deg C	+165 to -65
Width/Dia., in [mm]	0.312 [7.92]

Connector 1

Type	2.92mm Male
Inner Conductor Material and Plating	Beryllium Copper, Gold
Inner Conductor Plating Specification	ASTM B-488
Outer Conductor Material and Plating	Passivated Stainless Steel
Outer Conductor Plating Specification	ASTM A-967
Coupling Nut Material and Plating	Passivated Stainless Steel
Coupling Nut Plating Specification	ASTM A-967
Hex Size, Inch	5/16
Torque, in-lbs [Nm]	8 [0.9]
Body Material and Plating	Passivated Stainless Steel
Body Plating Specification	ASTM A-967
Dielectric Type	PTFE

Connector 2

Type	2.92mm Female
Inner Conductor Material and Plating	Beryllium Copper, Gold
Inner Conductor Plating Specification	ASTM B-488
Outer Conductor Material and Plating	Passivated Stainless Steel
Outer Conductor Plating Specification	ASTM A-967

Click the following link (or enter part number in "SEARCH" on website) to obtain additional part information including price, inventory and certifications: [Precision 2.92mm Male to 2.92mm Female Radius Right Angle Adapter Up To 40GHz PE91070](#)

The information contained in this document is accurate to the best of our knowledge and representative of the part described herein. It may be necessary to make modifications to the part and/or the documentation of the part, in order to implement improvements. Pasternack reserves the right to make such changes as required. Unless otherwise stated, all specifications are nominal.



Precision 2.92mm Male to 2.92mm Female
Radius Right Angle Adapter Up To 40GHz

TECHNICAL DATA SHEET

PE91070

Body Material and Plating
Body Plating Specification
Dielectric Type

Passivated Stainless Steel
ASTM A-967
PTFE

Compliance Certifications (visit www.Pasternack.com for current document)

Plotted and Other Data

Notes:

Values at 25 °C, sea level
RF Leakage -90 dB min from 2 to 3 GHz

Precision 2.92mm Male to 2.92mm Female Radius Right Angle Adapter Up To 40GHz from Pasternack Enterprises has same day shipment for domestic and International orders. Our RF, microwave and fiber optic products maintain a 99% availability and are part of the broadest selection in the industry.

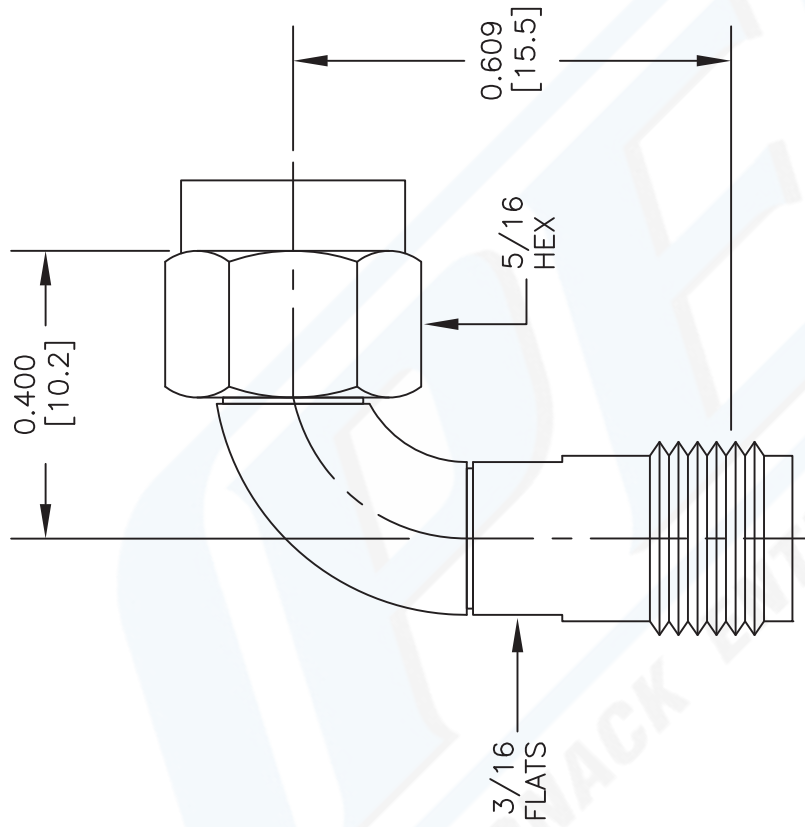
Click the following link (or enter part number in "SEARCH" on website) to obtain additional part information including price, inventory and certifications: [Precision 2.92mm Male to 2.92mm Female Radius Right Angle Adapter Up To 40GHz PE91070](http://www.pasternack.com/2.92mm-male-2.92mm-female-radius-right-angle-adapter-pe91070-p.aspx)

URL: <http://www.pasternack.com/2.92mm-male-2.92mm-female-radius-right-angle-adapter-pe91070-p.aspx>

The information contained in this document is accurate to the best of our knowledge and representative of the part described herein. It may be necessary to make modifications to the part and/or the documentation of the part, in order to implement improvements. Pasternack reserves the right to make such changes as required. Unless otherwise stated, all specifications are nominal.

PE91070 CAD Drawing

Precision 2.92mm Male to 2.92mm Female Radius Right Angle Adapter Up To 40GHz



NOTES:

- 1. UNLESS OTHERWISE SPECIFIED ALL DIMENSIONS ARE NOMINAL.
- 2. ALL SPECIFICATIONS ARE SUBJECT TO CHANGE WITHOUT NOTICE AT ANY TIME.
- 3. DIMENSIONS ARE IN INCHES [mm].

DWG TITLE

PE91070

FSCM NO. 53919

2233

SIZE A

SCALE N/A

CAD FILE 040813



Pasternack Enterprises, Inc.
P.O. Box 16759 | Irvine | CA | 92623
Phone: (949) 261-1920 | Fax: (949) 261-7451
Website: www.pasternack.com | E-Mail: sales@pasternack.com