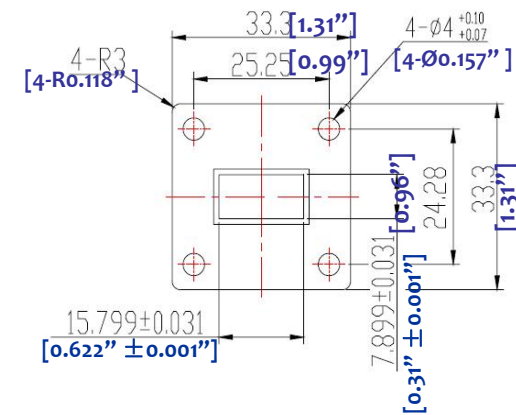
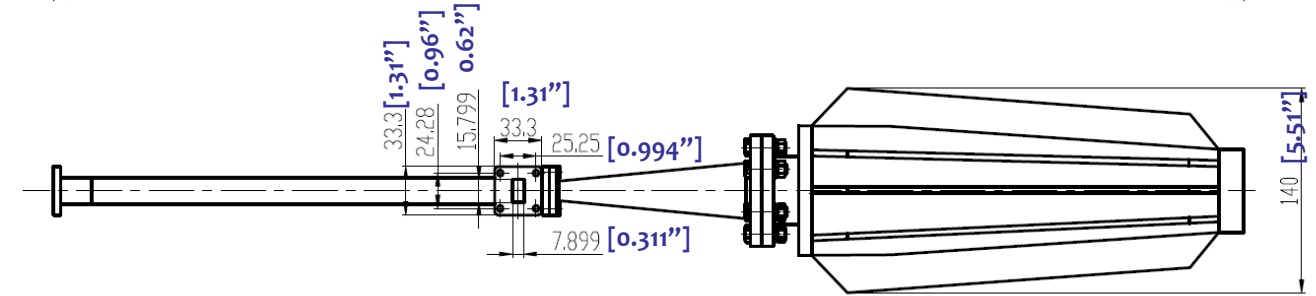
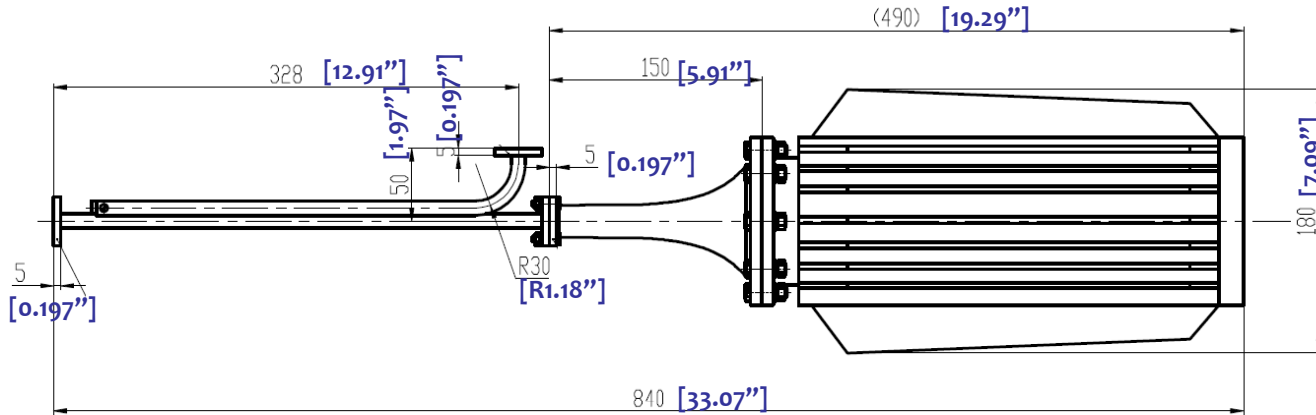


WR62 WAVEGUIDE 1000W HIGH POWER TERMINATION

- RFWT62F



1.0 Mechanical Specifications	
1.1	Waveguide type Rectangular Waveguide WR62
1.2	Flange type CPRF, COVER
1.3	Flange Holes Through
1.4	Basis-material Alloyed Cuprum
1.5	Internal Body Finish Silver Plated chromate or conversion
1.6	External Body Finish Body painted with gray/black epoxy enamel

3.0 Electrical Specifications		
3.1	Frequency	12.4~18GHz
3.2	Average Power	1000W (CW) 8KW Peak (1% 5us)
3.3	VSWR	1.30:1 (max)
3.4	Coupling	10dB

2.0 Environment specifications		
2.1	Operation Temp.	-40°C~+85°C
2.2	Storage Temp.	-50°C~+125°C
2.3	Altitude	45000 ft
2.4	Vibration	10g rms (15 degree 2KHz)
2.5	Humidity	100% RH at 35c, 95%RH at 40 deg c
2.6	Shock	20G for 11msc

PAGE 1 OF 1	DATE Jun 21 st 2006
PROPRIETARY INFORMATION THE INFORMATION CONTAINED IN THIS DOCUMENT IS THE PROPERTY OF RF-LAMBDA EXCEPT AS SPECIFICALLY AUTHORIZED IN WRITING BY RF-LAMBDA. THE HOLDER OF THIS DOCUMENT SHALL KEEP ALL INFORMATION CONTAINED HEREIN CONFIDENTIAL AND SHALL PROTECT SAME IN THE WHOLE OR IN PART FROM DISCLOSURE AND DISSEMINATION OF ALL THIRD PARTIES AND SHALL USE SAME FOR OPERATING AND MAINTENANCE PURPOSES ONLY.	
DESIGN RFPC RF-LAMBDA RFPC	
CAD MODEL REVISION 11	
ASSEMBLY REVISION VS5DS	
ASSEMBLY NAME RFLVRO5	
DRAWING NUMBER D05-1	
RFWT62F WAVEGUIDE TERMINATION	
www.rflambda.com	
RF-LAMBDA	SIZE LT SHEETS 1 OF 1