

SHV Plug to SHV Jack Right Angle Adapter



TECHNICAL DATA SHEET

PE9338

SHV Plug to SHV Jack Right Angle Adapter

Configuration

| | |
|----------------|-------------|
| Connector 1 | SHV Plug |
| Connector 2 | SHV Jack |
| Adapter Design | Standard |
| Body Style | Right Angle |

Electrical Specifications

| | |
|-----------------|----|
| Impedance, Ohms | 50 |
|-----------------|----|

Mechanical Specifications

Temperature

| | |
|------------------------|-------------|
| Operating Range, deg C | -65 to +165 |
|------------------------|-------------|

Size

| | |
|---------------------|---------------|
| Length, in [mm] | 1.49 [37.85] |
| Width/Dia., in [mm] | 0.57 [14.48] |
| Height, in [mm] | 1.365 [34.67] |
| Dielectric Type | PTFE |

Connector 1

| | |
|---------------------------------------|---------------|
| Type | SHV Plug |
| Inner Conductor Material and Plating | Silver |
| Inner Conductor Plating Specification | QQ-S-365 |
| Body Material and Plating | Brass, Nickel |

Connector 2

| | |
|---------------------------------------|---------------|
| Type | SHV Jack |
| Inner Conductor Material and Plating | Silver |
| Inner Conductor Plating Specification | QQ-S-365 |
| Body Material and Plating | Brass, Nickel |

Compliance Certifications (visit www.Pasternack.com for current document)

| | |
|----------------|-----|
| RoHS Compliant | Yes |
|----------------|-----|

Plotted and Other Data

| | |
|--------|----------------------------|
| Notes: | Values at 25 °C, sea level |
|--------|----------------------------|

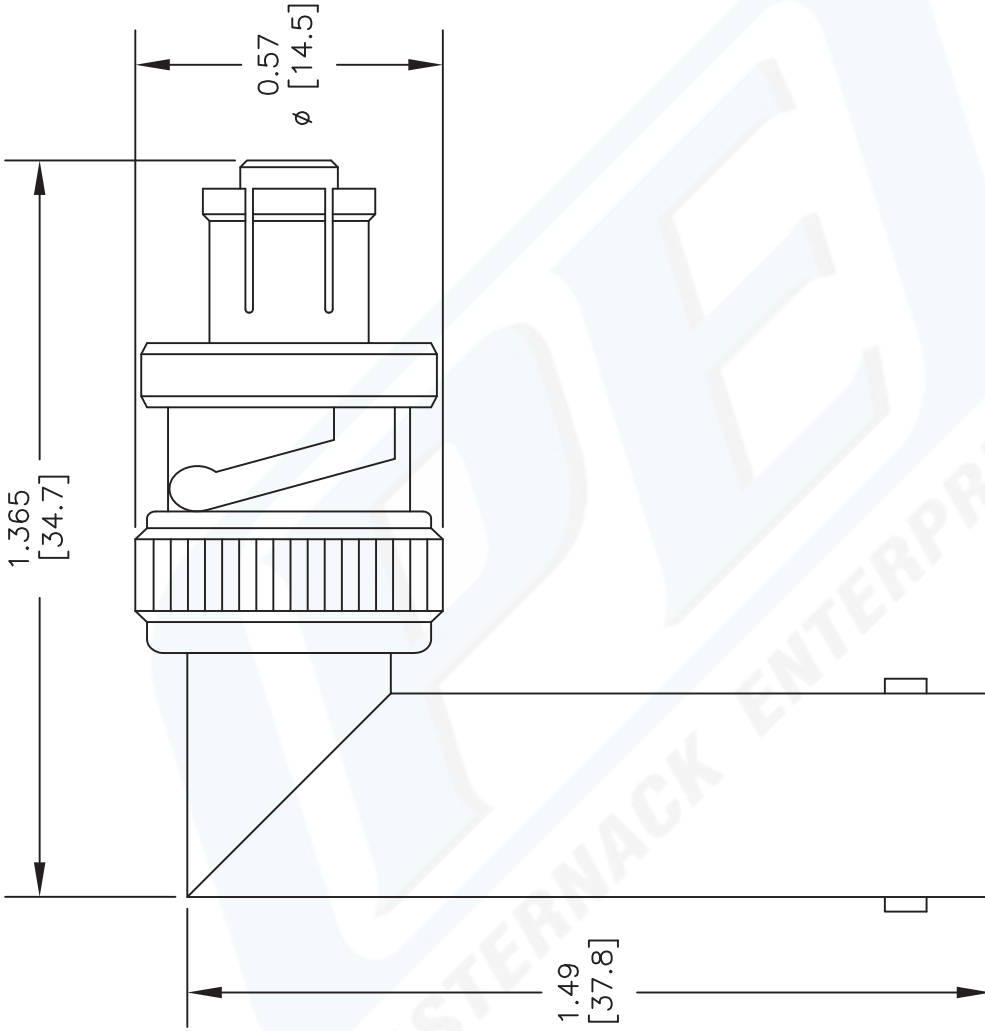
URL: <http://www.pasternack.com/shv-plug-shv-jack-right-angle-adapter-pe9338-p.aspx>

SHV Plug to SHV Jack Right Angle Adapter from Pasternack Enterprises has same day shipment for domestic and International orders. Our RF, microwave and fiber optic products maintain a 99% availability and are part of the broadest selection in the industry.

The information contained in this document is accurate to the best of our knowledge and representative of the part described herein. It may be necessary to make modifications to the part and/or the documentation of the part, in order to implement improvements. Pasternack reserves the right to make such changes as required. Unless otherwise stated, all specifications are nominal.

PE9338 CAD Drawing

SHV Plug to SHV Jack Right Angle Adapter



DWG TITLE

PE9338

NOTES:
 1. UNLESS OTHERWISE SPECIFIED ALL DIMENSIONS ARE NOMINAL.
 2. ALL SPECIFICATIONS ARE SUBJECT TO CHANGE WITHOUT NOTICE AT ANY TIME.
 3. DIMENSIONS ARE IN INCHES [mm].

FSCM NO. 53919

2233

SIZE A

SCALE N/A

CAD FILE 101512-A



PASTERNAK®
 Pasternack Enterprises, Inc.
 P.O. Box 16759 | Irvine | CA | 92623
Phone: (949) 261-1920 | **Fax:** (949) 261-7451
Website: www.pasternack.com | **E-Mail:** sales@pasternack.com