

N Tee Adapter Male-Female-Female



TECHNICAL DATA SHEET

PE9481

N Tee Adapter Male-Female-Female

Configuration

Connector 1	N Male
Impedance 1	50 Ohms
Connector 2	N Female
Impedance 2	50 Ohms
Connector 3	N Female
Adapter Design	Standard
Body Style	Tee

Mechanical Specifications

Size

Length, in [mm]	2.028 [51.51]
Width/Dia., in [mm]	0.8 [20.32]
Height, in [mm]	1.215 [30.86]

Connector 1

Type	N Male
Inner Conductor Material and Plating	Silver
Coupling Nut Material and Plating	Brass, Nickel
Body Material and Plating	Brass, Nickel
Dielectric Type	PTFE

Connector 2

Type	N Female
Inner Conductor Material and Plating	Silver
Body Material and Plating	Brass, Nickel

Connector 3

Type	N Female
Inner Conductor Material and Plating	Silver
Body Material and Plating	Brass, Nickel

Compliance Certifications (visit www.Pasternack.com for current document)

RoHS Compliant	Yes
----------------	-----

Plotted and Other Data

Notes: Values at 25 °C, sea level

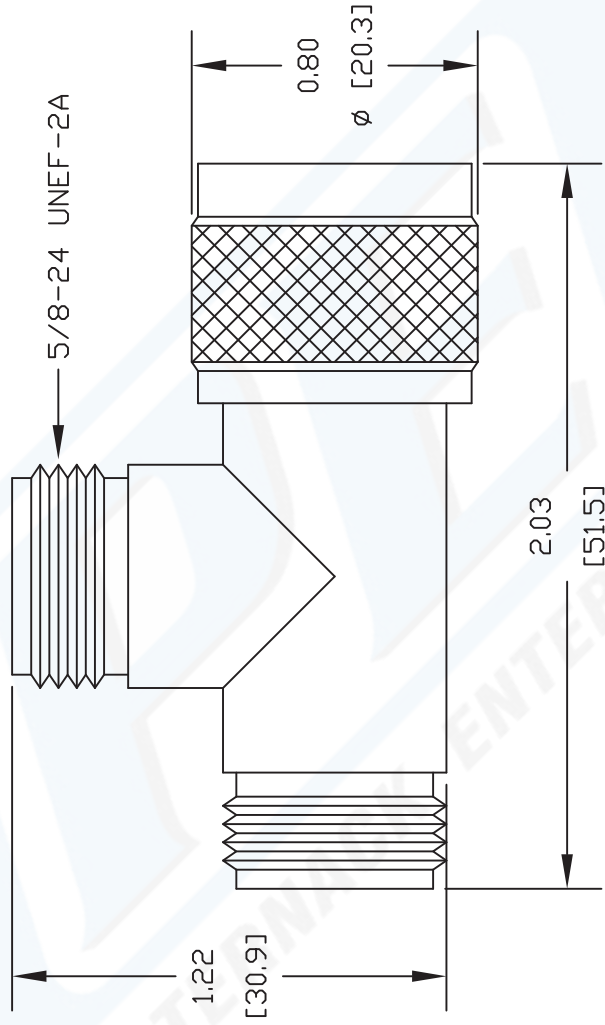
URL: <http://www.pasternack.com/n-male-female-female-tee-adapter-pe9481-p.aspx>

N Tee Adapter Male-Female-Female from Pasternack Enterprises has same day shipment for domestic and International orders. Our RF, microwave and fiber optic products maintain a 99% availability and are part of the broadest selection in the industry.

The information contained in this document is accurate to the best of our knowledge and representative of the part described herein. It may be necessary to make modifications to the part and/or the documentation of the part, in order to implement improvements. Pasternack reserves the right to make such changes as required. Unless otherwise stated, all specifications are nominal.



PE9481 CAD Drawing
N Tee Adapter Male-Female-Female



NOTES:
 1. UNLESS OTHERWISE SPECIFIED ALL DIMENSIONS ARE NOMINAL.
 2. ALL SPECIFICATIONS ARE SUBJECT TO CHANGE WITHOUT NOTICE AT ANY TIME.
 3. DIMENSIONS ARE IN INCHES [mm].

DWG TITLE
PE9481

PASTERNAK ENTERPRISES, INC.
 P.O. BOX 16759, IRVINE, CA 92623
 PHONE (949) 261-1920 FAX (949) 261-7451
 WEB ADDRESS: www.pasternack.com
 E-MAIL ADDRESS: sales@pasternack.com



REV. -	FSCM NO. 53919	CAD FILE 092302	SCALE N/A	SIZE A	127
--------	----------------	-----------------	-----------	--------	-----

COAXIAL & FIBER OPTICS