



WR-102 Standard Gain Horn Antenna Operates From 7 GHz to 11 GHz With a Nominal 10 dB Gain WR-102 Input

TECHNICAL DATA SHEET PE9857-10

WR-102 Standard Gain Horn Antenna Operates From 7 GHz to 11 GHz With a Nominal 10 dB Gain WR-102 Input

Configuration

| | |
|----------------------|---------------------------|
| Design | WR-102 Standard Gain Horn |
| Frequency Range, GHz | 7 to 11 |
| Polarization | Linear |
| Interface 1 | WR-102 |

Electrical Specifications

| | |
|------------------|----|
| Nominal Gain, dB | 10 |
|------------------|----|

Mechanical Specifications

Size

| | |
|-----------------|--------------|
| Length, in [mm] | 3 [76.2] |
| Width, in [mm] | 1.69 [42.93] |
| Height, in [mm] | 1.69 [42.93] |

Compliance Certifications (visit www.Pasternack.com for current document)

Plotted and Other Data

| | |
|---------------------------|----------------------------|
| 2 Dimensional OML Drawing | PE9857-10 |
| Notes: | Values at 25 °C, sea level |

WR-102 Standard Gain Horn Antenna Operates From 7 GHz to 11 GHz With a Nominal 10 dB Gain WR-102 Input from Pasternack Enterprises has same day shipment for domestic and International orders. Our RF, microwave and fiber optic products maintain a 99% availability and are part of the broadest selection in the industry.

Click the following link (or enter part number in "SEARCH" on website) to obtain additional part information including price, inventory and certifications: [WR-102 Standard Gain Horn Antenna Operates From 7 GHz to 11 GHz With a Nominal 10 dB Gain WR-102 Input PE9857-10](http://www.pasternack.com/standard-gain-horn-waveguide-size-wr102-pe9857-10-p.aspx)

URL: <http://www.pasternack.com/standard-gain-horn-waveguide-size-wr102-pe9857-10-p.aspx>

The information contained in this document is accurate to the best of our knowledge and representative of the part described herein. It may be necessary to make modifications to the part and/or the documentation of the part, in order to implement improvements. Pasternack reserves the right to make such changes as required. Unless otherwise stated, all specifications are nominal.

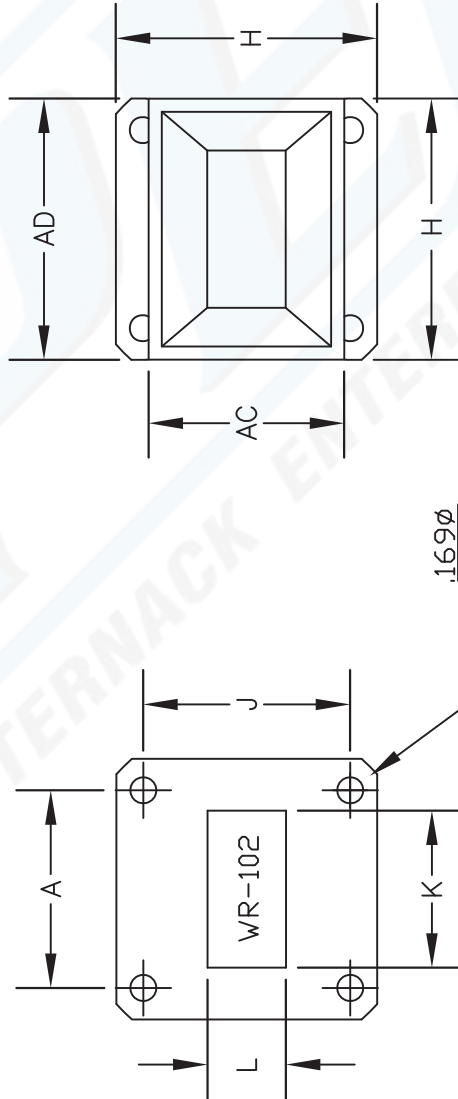
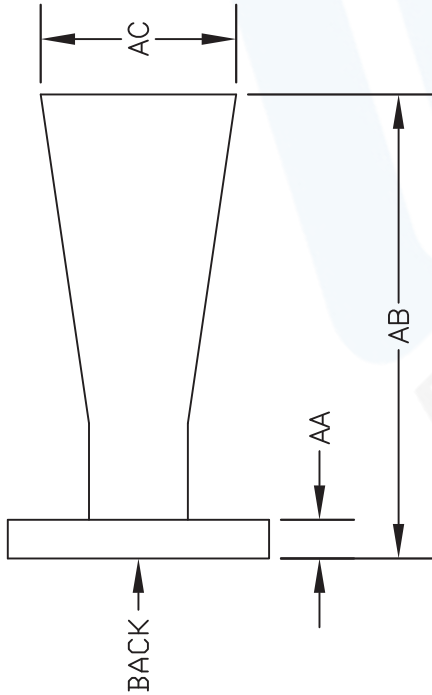


PE9857-10 CAD Drawing

WR-102 Standard Gain Horn Antenna Operates From 7 GHz to 11 GHz With a Nominal 10 dB Gain WR-102 Input

| WR102 | | | |
|-------------------|--------|-------|--|
| Dimension | Inches | mm | |
| A | 1.280 | 32.51 | |
| H | 1.690 | 42.93 | |
| J | 1.340 | 34.04 | |
| K (± 0.003) | 1.020 | 25.91 | |
| L (± 0.003) | 0.510 | 12.95 | |

| | | |
|----|-------|-------|
| AA | 0.250 | 6.35 |
| AB | 3.000 | 76.20 |
| AC | 1.265 | 32.13 |
| AD | 1.690 | 42.93 |



FRONT VIEW

BACK VIEW

DWG TITLE

PE9857-10

NOTES:
 1. UNLESS OTHERWISE SPECIFIED ALL DIMENSIONS ARE NOMINAL.
 2. ALL SPECIFICATIONS ARE SUBJECT TO CHANGE WITHOUT NOTICE AT ANY TIME.
 3. DIMENSIONS ARE IN INCHES [mm].

PASTERNAK ENTERPRISES, INC.
 P.O. BOX 16759, IRVINE, CA 92623
 PHONE (949) 261-1920 FAX (949) 261-7451
 WEB ADDRESS: www.pasternack.com
 E-MAIL ADDRESS: sales@pasternack.com
COAXIAL & FIBER OPTICS



REV. A

FSCM NO. 53919

CAD FILE 101607

SCALE N/A

SIZE A

127