



EUROPEAN ANTENNAS

Excellence through design
Creative in concept

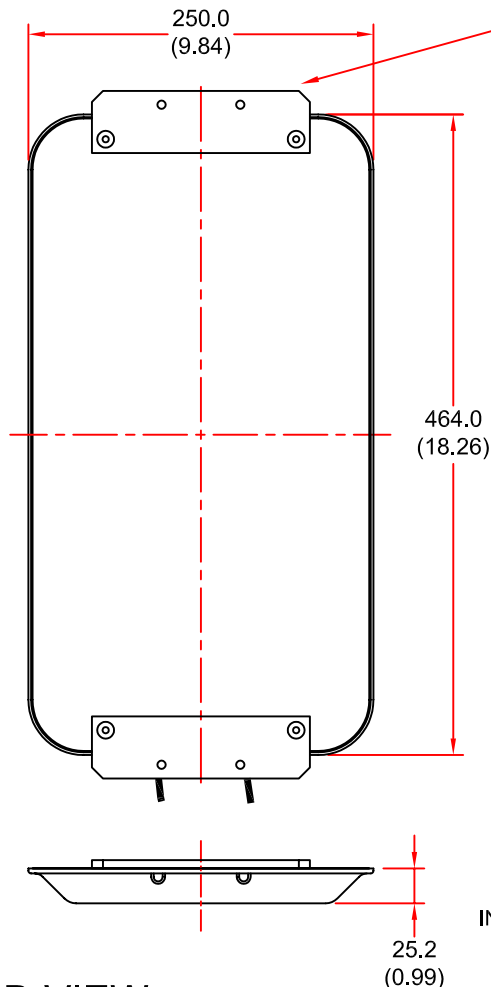


DUAL-BAND LOW PROFILE ANTENNA

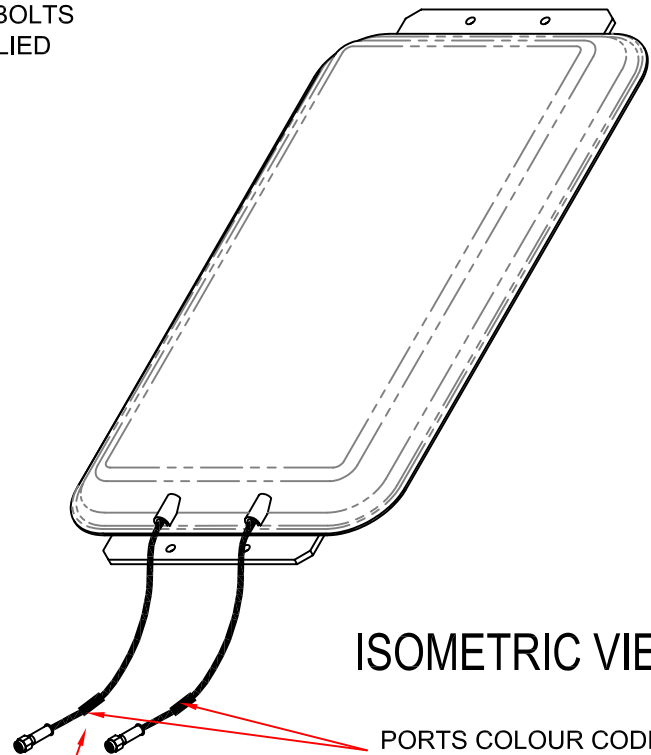
MODEL: FPA13-1800V-2050V/767

FREQUENCY BANDS: DCS 1800 (1710 - 1880 MHz) UMTS (1920 - 2175 MHz)	GAIN:	12 dBi (each band)
	POLARISATION:	Linear (Vertical)
	CROSS POLAR:	20 dB
BEAMWIDTH: 35° (azimuth) x 35° (elevation)	VSWR:	2.0:1 Max (each band)
POWER RATING: 10 W	ISOLATION:	25 dB Min
TEMPERATURE: -30°C to +40°C	FRONT TO BACK:	25 dB Typical
RADOME: White ABS	MASS:	1 Kg / 2.2 lbs

REAR VIEW



MOUNTING VIA
2" 'U' BOLTS
SUPPLIED



ISOMETRIC VIEW

PORTS COLOUR CODED
AS FOLLOWS:

RED - 1800 MHz
GREEN - 2050 MHz

INTEGRAL CABLES WITH LOW
SMOKE ZERO HALOGEN
JACKETS 1M LONG &
SMA(M) CONNECTORS

DIMENSIONS: mm (inches)

GA 767-4 Issued 300304

END VIEW

TEL: +44 (0)1638 731888
FAX: +44 (0)1638 731999

EUROPEAN ANTENNAS LTD.
LAMBDA HOUSE, CHEVELEY,
NEWMARKET, SUFFOLK, CB8 9RG,
UNITED KINGDOM.

E-Mail: sales@european-antennas.co.uk
Website: www.european-antennas.co.uk

European Antennas Ltd. has a policy of continuous development and therefore stress that the data contained on this sheet should be used for guidance only.