



## 50 Ohm 4 Way N Wilkinson Power Divider From 690 MHz to 2.7 GHz Rated at 10 Watts

### TECHNICAL DATA SHEET

PE2094

#### 50 Ohm 4 Way N Wilkinson Power Divider From 690 MHz to 2.7 GHz Rated at 10 Watts

##### Configuration

Input Connector	N Female
Input Connector Specification	MIL-STD-348
Output Connectors	N Female
Output Connectors Specification	MIL-STD-348
Frequency Range, GHz	0.69 to 2.7
Design	Wilkinson
Number of Output Ports	4
Housing Material and Plating	Aluminum

##### Electrical Specifications

Frequency Range, GHz	0.69 to 2.7
Impedance, Ohms	50
Maximum Insertion Loss, dB	1
Maximum Input Power, Watts	10
Maximum Input VSWR	1.35:1
Maximum Output VSWR	1.25:1
Minimum Isolation, dB	22
Phase Balance, Degrees	± 4
Flatness, dB	0.2

##### Mechanical Specifications

###### Temperature

Operating Range, deg C	-55 to +85
------------------------	------------

###### Size

Length, in [mm]	5.19 [131.83]
Width, in [mm]	4 [101.6]
Height, in [mm]	0.82 [20.83]
Color	Blue

###### Input Connector

Contact Material and Plating	Beryllium Copper, Gold
Connector Material and Plating	Brass
Body Material and Plating	Brass

###### Output Connectors

Contact Material and Plating	Beryllium Copper, Gold
Connector Material and Plating	Brass
Body Material and Plating	Brass

Click the following link (or enter part number in "SEARCH" on website) to obtain additional part information including price, inventory and certifications: [50 Ohm 4 Way N Wilkinson Power Divider From 690 MHz to 2.7 GHz Rated at 10 Watts PE2094](#)

The information contained in this document is accurate to the best of our knowledge and representative of the part described herein. It may be necessary to make modifications to the part and/or the documentation of the part, in order to implement improvements. Pasternack reserves the right to make such changes as required. Unless otherwise stated, all specifications are nominal.



## 50 Ohm 4 Way N Wilkinson Power Divider From 690 MHz to 2.7 GHz Rated at 10 Watts

### TECHNICAL DATA SHEET

PE2094

#### Compliance Certifications (visit [www.Pasternack.com](http://www.Pasternack.com) for current document)

RoHS Compliant

Yes

#### Plotted and Other Data

Notes:

Values at 25 °C, sea level

50 Ohm 4 Way N Wilkinson Power Divider From 690 MHz to 2.7 GHz Rated at 10 Watts from Pasternack Enterprises has same day shipment for domestic and International orders. Our RF, microwave and fiber optic products maintain a 99% availability and are part of the broadest selection in the industry.

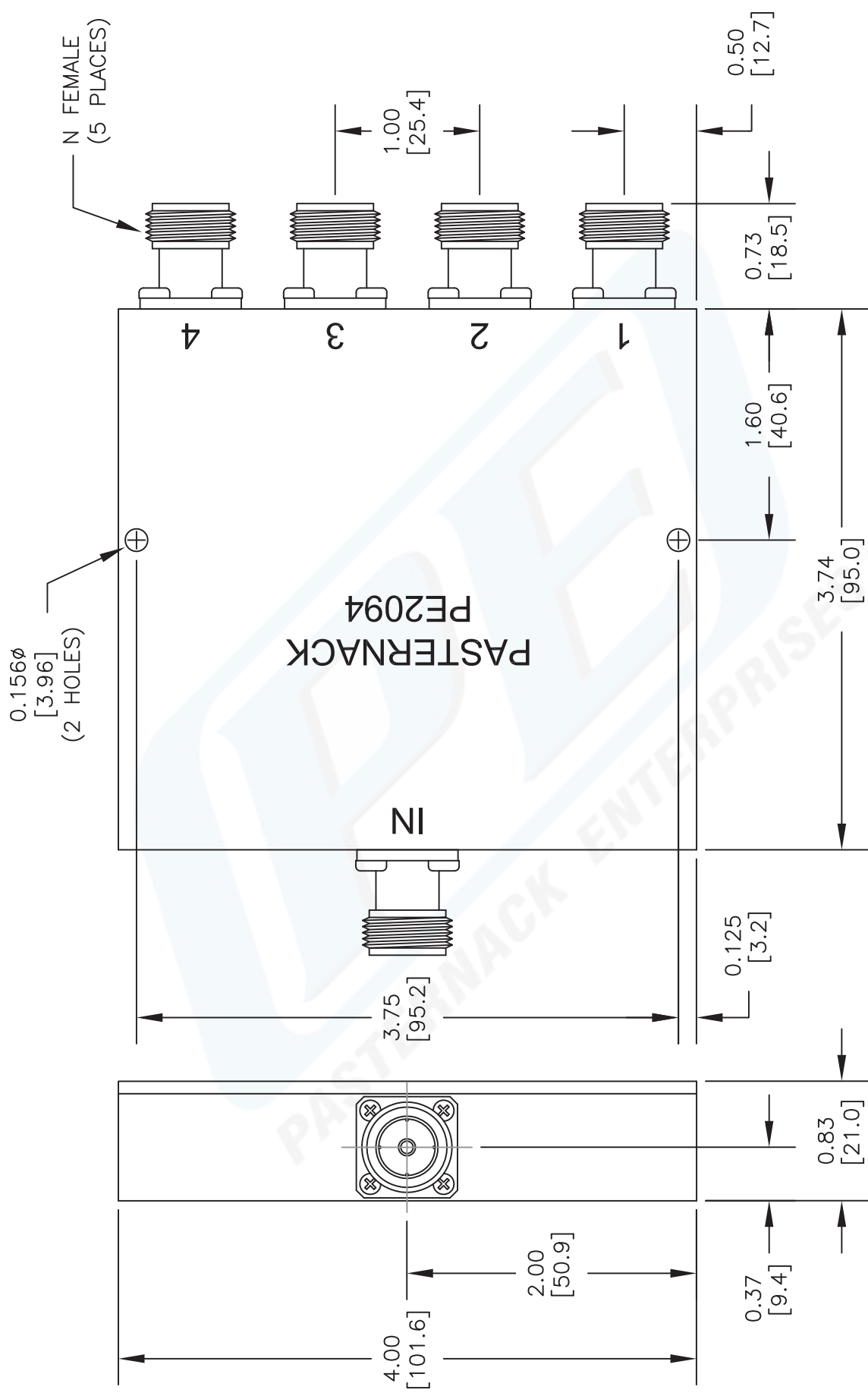
Click the following link (or enter part number in "SEARCH" on website) to obtain additional part information including price, inventory and certifications: [50 Ohm 4 Way N Wilkinson Power Divider From 690 MHz to 2.7 GHz Rated at 10 Watts PE2094](http://www.pasternack.com/4-way-n-wilkinson-power-divider-690-mhz-2.7-ghz-10-watts-pe2094-p.aspx)

URL: <http://www.pasternack.com/4-way-n-wilkinson-power-divider-690-mhz-2.7-ghz-10-watts-pe2094-p.aspx>

The information contained in this document is accurate to the best of our knowledge and representative of the part described herein. It may be necessary to make modifications to the part and/or the documentation of the part, in order to implement improvements. Pasternack reserves the right to make such changes as required. Unless otherwise stated, all specifications are nominal.

# PE2094 CAD Drawing

50 Ohm 4 Way N Wilkinson Power Divider From 690 MHz to 2.7 GHz Rated at 10 Watts



NOTES:  
 1. UNLESS OTHERWISE SPECIFIED ALL DIMENSIONS ARE NOMINAL.  
 2. ALL SPECIFICATIONS ARE SUBJECT TO CHANGE WITHOUT NOTICE AT ANY TIME.  
 3. DIMENSIONS ARE IN INCHES [mm].

DWG TITLE  
**PE2094**

FSCM NO. 53919

CAD FILE 100213

SCALE N/A

SIZE A

150

**PE PASTERNAK®**  
 Pasternack Enterprises, Inc.  
 P.O. Box 16759 | Irvine | CA | 92623  
 Phone: (949) 261-1920 | Fax: (949) 261-7451  
 Website: www.pasternack.com | E-Mail: sales@pasternack.com