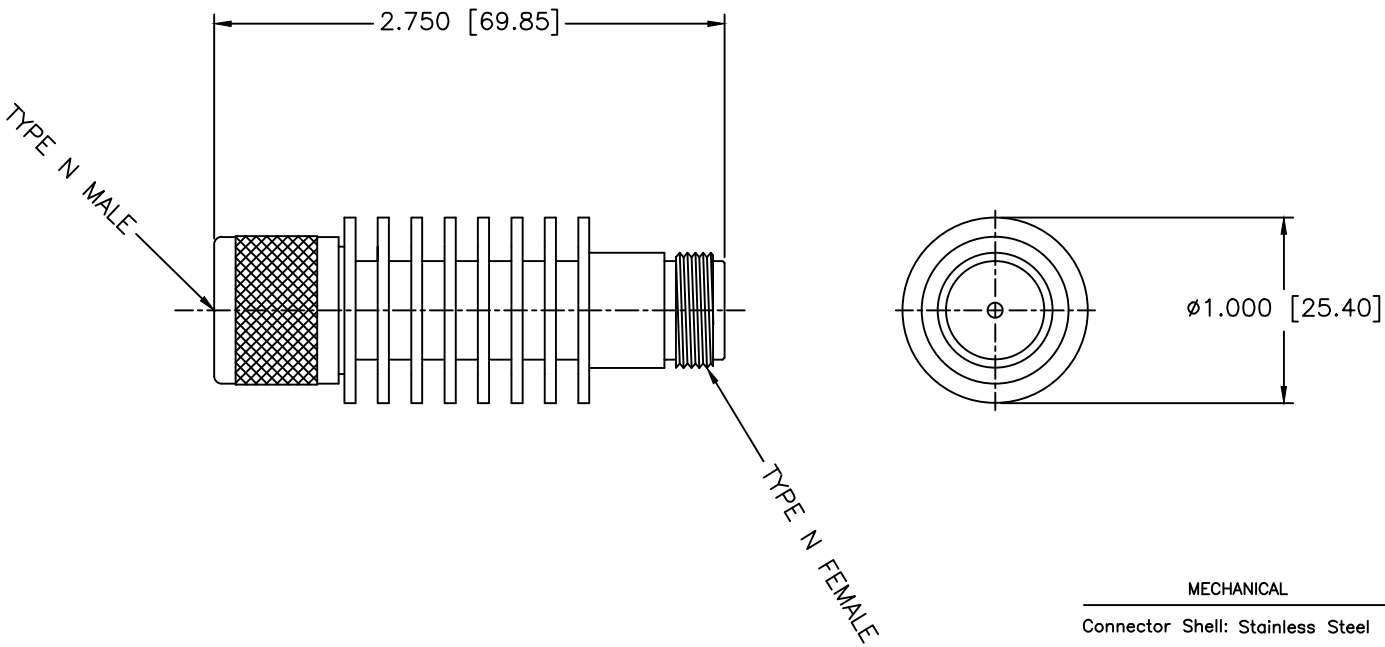


REVISIONS				
ZONE	REV	DESCRIPTION	DATE	APPROVED



MECHANICAL

Connector Shell: Stainless Steel  
 Connector Contact: Gold Plated Beryllium Copper  
 Housing: Aluminum

SPECIFICATIONS

Frequency Range: DC-4 GHz  
 VSWR: 1.25:1 Max.  
 Power: 20 Watts  
 Attenuation Value: 5dB to 20dB  
 Operating Temperature: -65°C to +125°C  
 Impedance: 50 ohms

MATERIAL:		MICROWAVE COMMUNICATIONS LABORATORIES INC. 7255 30TH AVE. N. SAINT PETERSBURG, FL 33710 TEL: (727) 344-6254 FAX: (727) 381-6116 http://WWW.MCLI.COM	SCALE:	N/A
			SHEET:	N/A
UNLESS OTHERWISE SPECIFIED: TOLERANCES IN (INCHES) OR [mm] (MILLIMETERS) FRACTIONS: ± 1/64 DECIMALS: ±.01 ±.005 ANGLE: ±1/2°		DRAWING TITLE:		
		20 WATTS ATTENUATOR		
DRAWN:		PART NO.		
Paiboon Luexhamhan		FAN-5		
DATE:		CAGE CODE:	SIZE:	REV:
12-07-1997		OD2L5	A	N/A
APPROVED:		DO NOT SCALE THE DRAWING		DWG NO.
T. Nguyen				80794
DATE:		THIRD ANGLE PROJECTION		
12-07-1997				