



## LC Male to LC Female Right Angle Adapter

### TECHNICAL DATA SHEET

PE9398

#### LC Male to LC Female Right Angle Adapter

##### Configuration

Connector 1	LC Male
Impedance 1	50 Ohms
Connector 2	LC Female
Impedance 2	50 Ohms
Adapter Design	Standard
Body Style	Right Angle

##### Mechanical Specifications

###### Size

Length, in [mm]	2.785 [70.74]
Width/Dia., in [mm]	1.5 [38.1]
Height, in [mm]	2.6 [66.04]

###### Connector 1

Type	LC Male
Inner Conductor Material and Plating	Silver
Coupling Nut Material and Plating	Brass, Nickel
Hex Size, in.	1 1/2
Torque, in-lbs [Nm]	21 [2.37]
Body Material and Plating	Brass, Nickel
Dielectric Type	PTFE

###### Connector 2

Type	LC Female
Inner Conductor Material and Plating	Silver
Body Material and Plating	Brass, Nickel
Dielectric Type	PTFE

##### Compliance Certifications (visit [www.Pasternack.com](http://www.Pasternack.com) for current document)

RoHS Compliant	Yes
----------------	-----

##### Plotted and Other Data

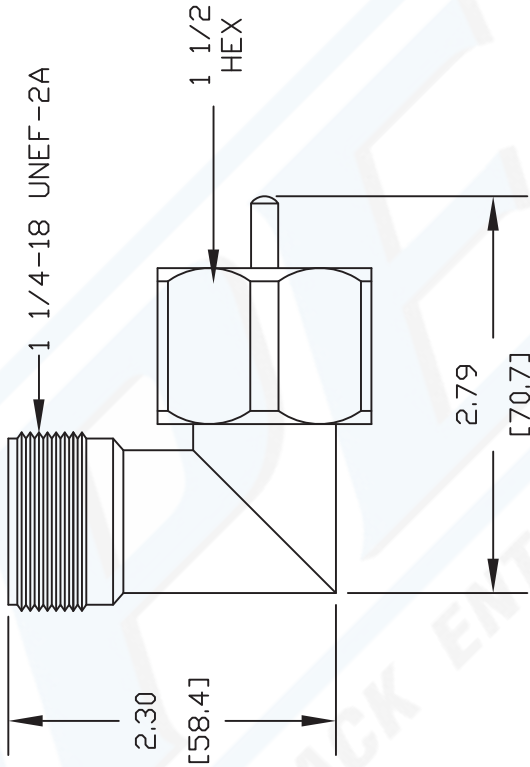
Notes:	Values at 25 °C, sea level
--------	----------------------------

URL: <http://www.pasternack.com/lc-male-lc-female-right-angle-adapter-pe9398-p.aspx>

LC Male to LC Female Right Angle Adapter from Pasternack Enterprises has same day shipment for domestic and International orders. Our RF, microwave and fiber optic products maintain a 99% availability and are part of the broadest selection in the industry.

The information contained in this document is accurate to the best of our knowledge and representative of the part described herein. It may be necessary to make modifications to the part and/or the documentation of the part, in order to implement improvements. Pasternack reserves the right to make such changes as required. Unless otherwise stated, all specifications are nominal.

**PE9398 CAD Drawing**  
 LC Male to LC Female Right Angle Adapter



NOTES:  
 1. UNLESS OTHERWISE SPECIFIED ALL DIMENSIONS ARE NOMINAL.  
 2. ALL SPECIFICATIONS ARE SUBJECT TO CHANGE WITHOUT NOTICE AT ANY TIME.  
 3. DIMENSIONS ARE IN INCHES [mm].

DWG TITLE  
**PE9398**

127

SIZE A

SCALE N/A

CAD FILE 091902

FSCM NO. 53919

REV. -

**PASTERNAK ENTERPRISES, INC.**  
 P O BOX 16759, IRVINE, CA 92623  
 PHONE (949) 261-1920 FAX (949) 261-7451  
 WEB ADDRESS: [www.pasternack.com](http://www.pasternack.com)  
 E-MAIL ADDRESS: [sales@pasternack.com](mailto:sales@pasternack.com)  
**COAXIAL & FIBER OPTICS**

