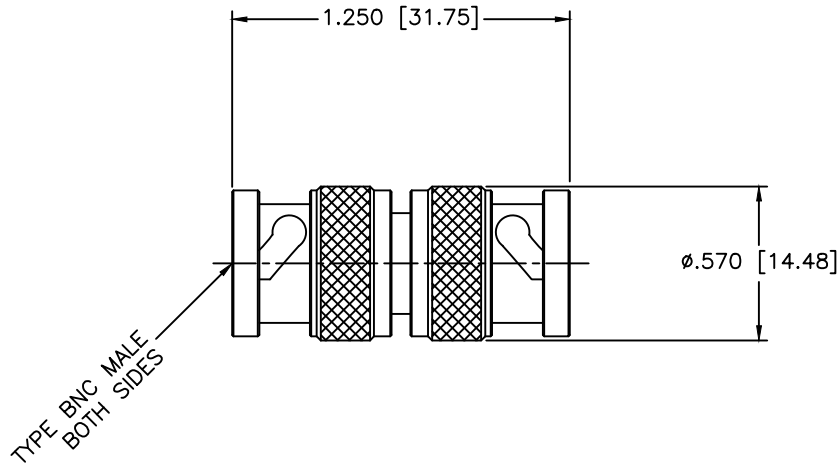




REVISIONS				
ZONE	REV	DESCRIPTION	Date	APPROVED



MATERIAL:		 MCLI MICROWAVE COMMUNICATIONS LABORATORIES INC. 7255 30TH AVE. N. SAINT PETERSBURG, FL 33710 TEL: (727) 344-6254 FAX: (727) 381-6116 http://WWW.MCLI.COM	SCALE:	N/A
			SHEET:	N/A
UNLESS OTHERWISE SPECIFIED: TOLERANCES IN (INCHES) OR [mm] (MILLIMETERS) FRACTIONS: ± 1/64 DECIMALS: ±.02 ±.015 ANGLE: ±1/2°		DRAWING TITLE: BNC PLUG TO PLUG ADAPTER		
DRAWN: Paiboon Luekhamhan		PART NO. ADB-04-PP		
DATE: 02-10-2010		CAGE CODE: OD2L5		
APPROVED: T. Nguyen		DATE: 02-10-2010		
<small>PROPRIETARY NOTICE: THE INFORMATION IN THIS DRAWING IS PROPRIETARY AND SHALL NOT BE USED OR DISCLOSED WITHOUT WRITTEN PERMISSION FROM MICROWAVE COMMUNICATIONS LABORATORIES INC. (MCLI)</small>		<small>THIRD ANGLE PROJECTION</small> 		
		SIZE:	N/A	REV:
		DO NOT SCALE THE DRAWING		DWG NO. 84685