

ELECTRICAL SPECIFICATIONS

FREQUENCY RANGE _____ DC - 6 GHz

VSWR: DC - 4 GHz _____ 1.10:1
 4 - 6 GHz _____ 1.20:1

IMPEDANCE _____ 50 OHMS

OPERATING TEMP. RANGE _____ -65 TO +125 °C

POWER (AVG) _____ 2 WATTS**

POWER (PEAK) _____ 500 WATTS

(<5 μ SEC PW, <1% DUTY CYCLE)

**POWER DERATES LINEARLY FROM +25°C TO <10% @+125°C CASE

MECHANICAL SPECIFICATIONS

MATERIALS

INNER CONDUCTOR _____ GOLD PLATED BERYLLIUM COPPER

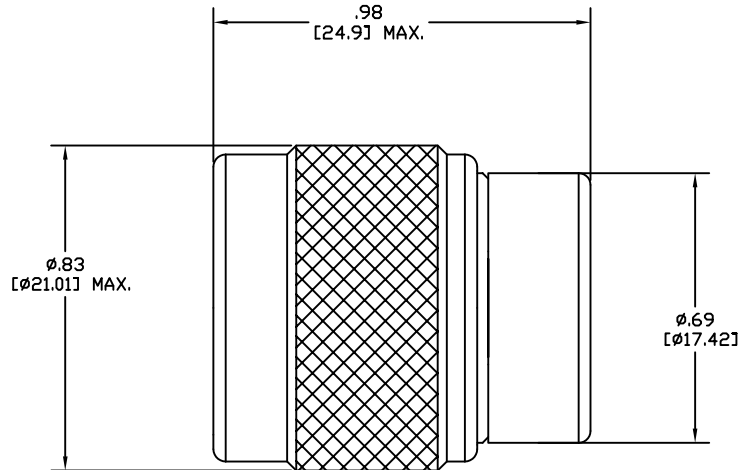
OUTER CONDUCTOR/NUT _____ NICKEL PLATED BRASS

DIELECTRIC _____ TEFLON

PART ORDERING INFORMATION

3001-6152-10 _____ DC - 2.5 GHz

3001-6156-10 _____ DC - 6 GHz



**PRODUCTION
RELEASE**

NOTE:
THIS DRAWING INCORPORATES
THIRD ANGLE PROJECTION.
INTERPRET IAW ANSI Y14.5-1988

| REVISIONS | | |
|-----------|-----------------------|-----------------|
| REV | DESCRIPTION | APPROVED |
| A | COMBINE 6152 AND 6156 | 4/10/12 T. KUHN |

| | |
|---|--|
| DRAWING PRACTICES PER ANSI-Y14.5 M1-1975 (REV. 8-1992) | UNLESS OTHERWISE SPECIFIED TOLERANCES ON DIMENSIONS ARE IN INCHES AND APPLY BEFORE/AFTER PROCESSING |
| SURFACE FINISH | DECIMALS INCH MM |
| SEE NOTES | .X" .05" [1.3] |
| SEE NOTES | .XX" .030" [.76] |
| SEE NOTES | .XXX" .015 [.39] |
| SEE NOTES | .XXXX" .0005" [.013] |
| SEE NOTES | ANGLES ± |
| MATERIAL | UNLESS OTHERWISE NOTED DIAS CONCENTRIC <.003 T.I.R. |
| SEE NOTES | |

| | |
|---|----------------------------|
| DRAWN D. SAUNDERS | DATE 01/14/2010 |
| CHECKED | DATE |
| ENG. T. KUHN | DATE 4/10/12 |
| THESE DRAWINGS AND SPECIFICATIONS ARE THE PROPERTY OF XMA CORP / OMNI SPECTRA AND SHALL NOT BE REPRODUCED, COPIED NOR USED- IN WHOLE OR IN PART- AS A BASIS FOR THE DESIGN, MANUFACTURE OR SALE OF OTHER ITEMS WITHOUT THE EXPRESS WRITTEN PERMISSION OF XMA CORP. CUSTOMERS AND VENDORS MAY COPY FOR INTERNAL REVIEW USE AS NEEDED | |

WWW.XMACorp.com Sales@XMACorp.com

XMA Powered by: **Omni Spectra®**

XMA Corp. 150 Dow St. Manchester, NH 03045 (603) 222-2256 fax 222-2259

TITLE
TERMINATION, DC-6GHz, 2W

| | | |
|-----------------------|--------------------------------------|--------------------------------|
| SIZE C | CAGE CODE 3HT76 | DWG NO. 3001-615X-10 |
| SCALE 5 : 1 | PLATING AREA SQUARE INCHES | XXX SHEET 1 OF 1 |