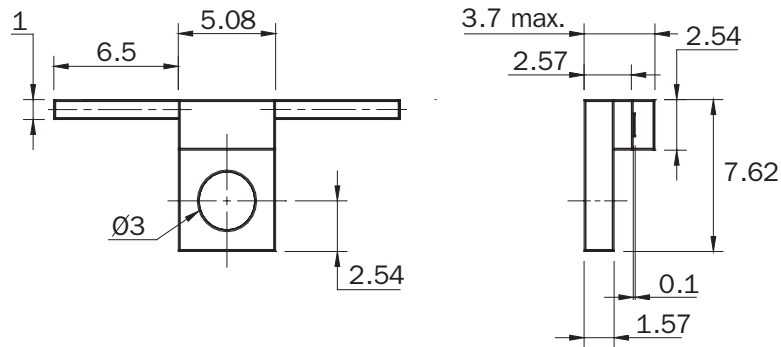
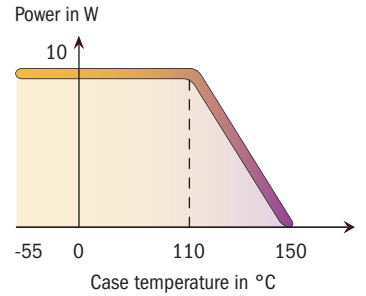




Standards
NF C 96-315
MIL-DTL-3933



Substrate	BeO
Resistive film	Thick film
Tab	Ag
Mounting flange/Plating	Cu/Ni
Cover substrate	Al ₂ O ₃



Dimensions in mm

P/N	Attenuation* (dB)	Frequency (GHz)	Power (W)	Impedance ($\Omega \pm 5\%$)	Max VSWR	Accuracy $\pm \Delta\alpha$ (dB)
16-6642	1	4	10	50	1.25	0.4
16-6643	2	4	10	50	1.25	0.4
16-6609	3	4	10	50	1.25	0.4
16-6675	4	4	10	50	1.25	0.4
16-6610	6	4	10	50	1.25	0.5
16-6611	10	4	10	50	1.25	1
16-6612	20	4	10	50	1.25	1.2
16-6747	30	2.5	10	50	1.25	1.5

mm	inch
0.1	0.004
1	0.039
1.57	0.062
2.54	0.100
2.57	0.101
3	0.118
3.7	0.146
5.08	0.200
6.35	0.250
6.5	0.256
7.62	0.300

* Others values on request