

Drop-in Isolators

Part Number: KTDI-0902M

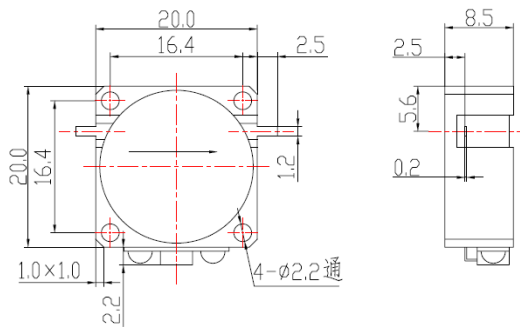
Main Features:

- Frequency Range: 0.8GHz -1.2GHz
- High Isolation, Low Insertion Loss, Small Size
- Wide Operating Temperature: -30°C~+70°C
- Commercial, Military and Space Applications

Electrical Specifications at Room Temperature:

Part Number	Freq. Range (GHz)	Bandwidth Max. (MHz)	Insertion Loss Max. (dB)	Isolation Min. (dB)	VSWR Max.	Reverse Power (W)	Connector Type
KTDI-0902M	0.8 - 1.2	25	0.35	23	1.20	10	TAB

Mechanical Dimensions (mm):



HOW TO ORDER

