



Precision 7/16 DIN Male to 7/16 DIN Female Adapter

TECHNICAL DATA SHEET

PE91027

**Precision 7/16 DIN Male to 7/16 DIN Female Adapter**

**Configuration**

Connector 1	7/16 DIN Male
Impedance 1	50 Ohms
Connector 2	7/16 DIN Female
Impedance 2	50 Ohms
Adapter Design	Precision
Body Style	Straight

**Electrical Specifications**

Frequency Range, GHz	DC to 7.5
Maximum VSWR	1.35:1

**Mechanical Specifications**

**Temperature**

Operating Range, deg C	-65 to +125
------------------------	-------------

**Size**

Length, in [mm]	2.72 [69.09]
Width/Dia., in [mm]	1.25 [31.75]

**Connector 1**

Type	7/16 DIN Male
Inner Conductor Material and Plating	Beryllium Copper, Silver
Coupling Nut Material and Plating	Brass, Silver
Hex Size, in.	1 1/4
Torque, ft-lbs [Nm]	18.417 [24.97]
Body Material and Plating	Brass, Silver
Dielectric Type	PTFE

**Connector 2**

Type	7/16 DIN Female
Inner Conductor Material and Plating	Beryllium Copper, Tri-Metal
Body Material and Plating	Brass, Nickel
Dielectric Type	PTFE

Click the following link (or enter part number in "SEARCH" on website) to obtain additional part information including price, inventory and certifications: [Precision 7/16 DIN Male to 7/16 DIN Female Adapter PE91027](#)

The information contained in this document is accurate to the best of our knowledge and representative of the part described herein. It may be necessary to make modifications to the part and/or the documentation of the part, in order to implement improvements. Pasternack reserves the right to make such changes as required. Unless otherwise stated, all specifications are nominal.





## Precision 7/16 DIN Male to 7/16 DIN Female Adapter

### TECHNICAL DATA SHEET

PE91027

**Compliance Certifications** (visit [www.Pasternack.com](http://www.Pasternack.com) for current document)

**Plotted and Other Data**

Notes:

Values at 25 °C, sea level

Precision 7/16 DIN Male to 7/16 DIN Female Adapter from Pasternack Enterprises has same day shipment for domestic and International orders. Our RF, microwave and fiber optic products maintain a 99% availability and are part of the broadest selection in the industry.

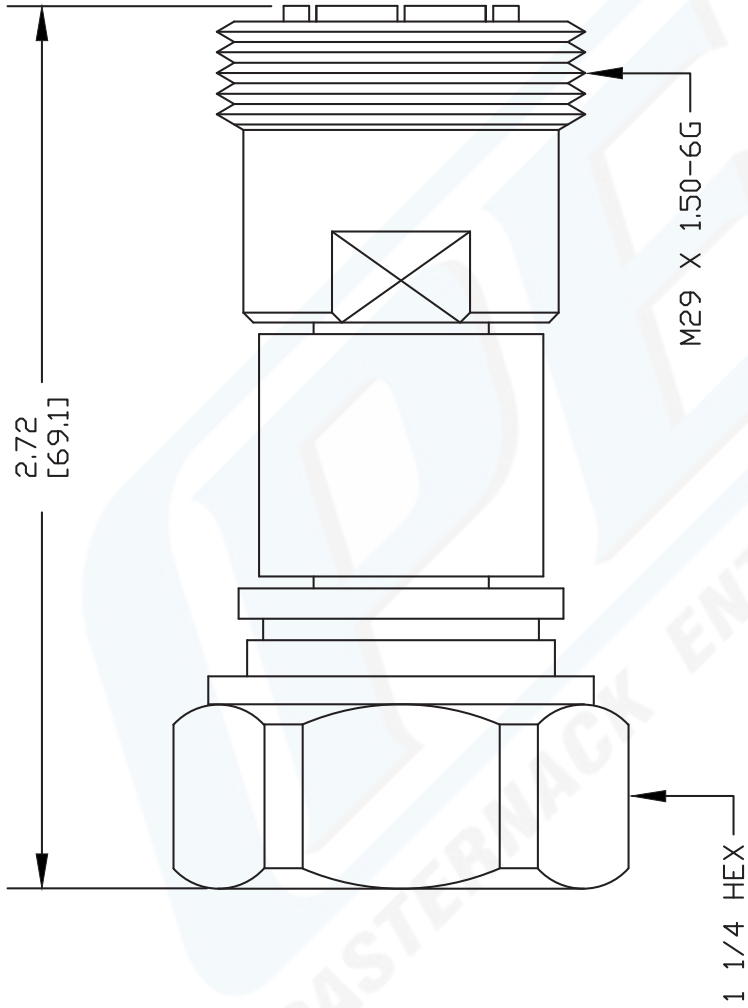
Click the following link (or enter part number in "SEARCH" on website) to obtain additional part information including price, inventory and certifications: [Precision 7/16 DIN Male to 7/16 DIN Female Adapter PE91027](http://www.pasternack.com/7-16-male-7-16-female-straight-adapter-pe91027-p.aspx)

URL: <http://www.pasternack.com/7-16-male-7-16-female-straight-adapter-pe91027-p.aspx>

The information contained in this document is accurate to the best of our knowledge and representative of the part described herein. It may be necessary to make modifications to the part and/or the documentation of the part, in order to implement improvements. Pasternack reserves the right to make such changes as required. Unless otherwise stated, all specifications are nominal.

# PE91027 CAD Drawing

Precision 7/16 DIN Male to 7/16 DIN Female Adapter



- NOTES:
1. UNLESS OTHERWISE SPECIFIED ALL DIMENSIONS ARE NOMINAL.
  2. ALL SPECIFICATIONS ARE SUBJECT TO CHANGE WITHOUT NOTICE AT ANY TIME.
  3. DIMENSIONS ARE IN INCHES [mm].
  4. FITS MIL-C-17 AND EQUIVALENT CABLES.

DWG TITLE  
**PE91027**

FSCM NO. 53919

CAD FILE 032813-A

SCALE N/A

SIZE A

XXXX

**PE PASTERNAK®**  
Pasternack Enterprises, Inc.  
P.O. Box 16759 | Irvine | CA | 92623  
Phone: (949) 261-1920 | Fax: (949) 261-7451  
Website: [www.pasternack.com](http://www.pasternack.com) | E-Mail: [sales@pasternack.com](mailto:sales@pasternack.com)