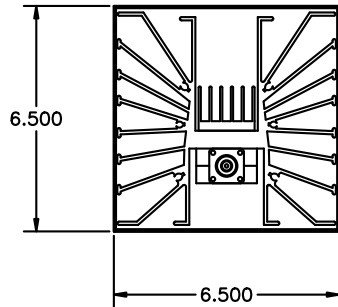


REVISIONS					
ZONE	REV	DESCRIPTION	Date	APPROVED	ECN#



SPECIFICATIONS

FREQUENCY RANGE DC to 500 MHz
 VSWR 1.25:1 MAX
 POWER 1500 WATTS, CW
 COOLING CONVECTION AIR FAN COOLED
 AMBIENT TEMP. 40 °C MAX.

MATERIALS

HOUSING ALUMINUM, BLACK ANODIZE
 CONNECTOR TYPE "N" FEMALE
 HEAT SPREADER COPPER
 SUBSTRATE BERYLLIUM OXIDE
 RESISTIVE ELEMENT THICK FILM

MATERIAL:			MICROWAVE COMMUNICATIONS LABORATORIES INC. 7255 30TH AVE. N. SAINT PETERSBURG, FL 33710 TEL: (727) 344-6254 FAX: (727) 381-6116 http://WWW.MCLI.COM		SCALE:	N/A
UNLESS OTHERWISE SPECIFIED: TOLERANCES IN (INCHES) OR [mm] (MILLIMETERS) FRACTIONS: ± 1/64 DECIMALS: ±.01 ±.005 ANGLE: ±1/2°			DRAWING TITLE:		1500 WATTS TERMINATION	
DRAWN:		DATE:		PART NO.		PCT-1500-NF
Paiboon Luekhamhan		03-08-2005		CAGE CODE:		
APPROVED:		DATE:		SIZE:	REV:	DWG NO.
T. Nguyen		03-08-2005		N/A	N/A	84080
PROPRIETARY NOTICE: THE INFORMATION IN THIS DRAWING IS PROPRIETARY AND SHALL NOT BE USED OR DISCLOSED WITHOUT WRITTEN PERMISSION FROM MICROWAVE COMMUNICATIONS LABORATORIES INC. (MCLI)		THIRD ANGLE PROJECTION 		0D2L5		DO NOT SCALE THE DRAWING