



50 Ohm SMA Frequency Doubler With Input From
 9000 MHz To 13000 MHz And Output From 18000 MHz
 To 26000 MHz With 10 dB Conversion Loss

TECHNICAL DATA SHEET

PE8603

50 Ohm SMA Frequency Doubler With Input From 9000 MHz To 13000 MHz And Output From 18000 MHz To 26000 MHz With 10 dB Conversion Loss

Configuration

Design	Doubler
Input Connector	SMA Female
Input Connector Impedance	50 Ohms
Output Connector	SMA Female

Electrical Specifications

Input Frequency Range, GHz	9 to 13
Output Frequency Range, GHz	18 to 26
Fundamental Isolation, dB	25
1dB Compression Point, dBm	13

Mechanical Specifications

Size

Length, in [mm]	1.55 [39.37]
Width/Dia., in [mm]	0.31 [7.87]
Height, in [mm]	0.59 [14.99]

Input Connector

Type	SMA Female
------	------------

Output Connector

Type	SMA Female
------	------------

Click the following link (or enter part number in "SEARCH" on website) to obtain additional part information including price, inventory and certifications: [50 Ohm SMA Frequency Doubler With Input From 9000 MHz To 13000 MHz And Output From 18000 MHz To 26000 MHz With 10 dB Conversion Loss PE8603](#)

The information contained in this document is accurate to the best of our knowledge and representative of the part described herein. It may be necessary to make modifications to the part and/or the documentation of the part, in order to implement improvements. Pasternack reserves the right to make such changes as required. Unless otherwise stated, all specifications are nominal.



50 Ohm SMA Frequency Doubler With Input From
9000 MHz To 13000 MHz And Output From 18000 MHz
To 26000 MHz With 10 dB Conversion Loss

TECHNICAL DATA SHEET

PE8603

Compliance Certifications (visit www.Pasternack.com for current document)

Plotted and Other Data

Notes:

Values at 25 °C, sea level

50 Ohm SMA Frequency Doubler With Input From 9000 MHz To 13000 MHz And Output From 18000 MHz To 26000 MHz With 10 dB Conversion Loss from Pasternack Enterprises has same day shipment for domestic and International orders. Our RF, microwave and fiber optic products maintain a 99% availability and are part of the broadest selection in the industry.

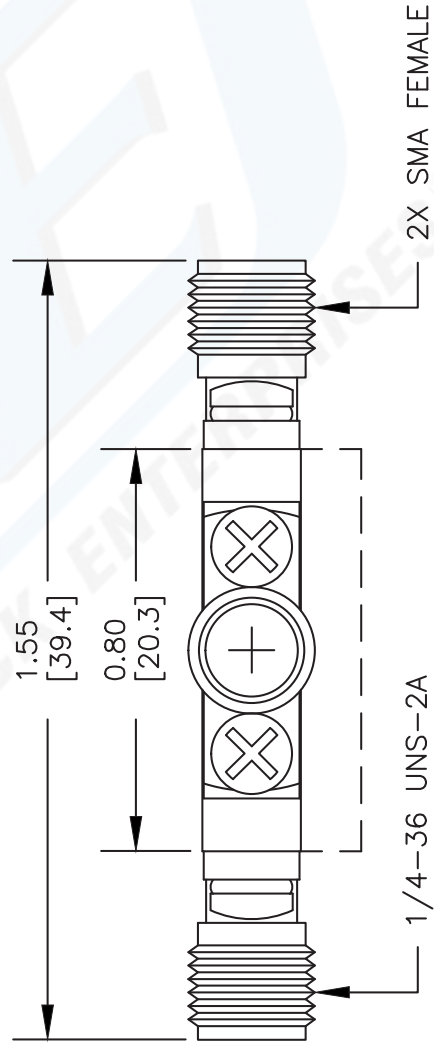
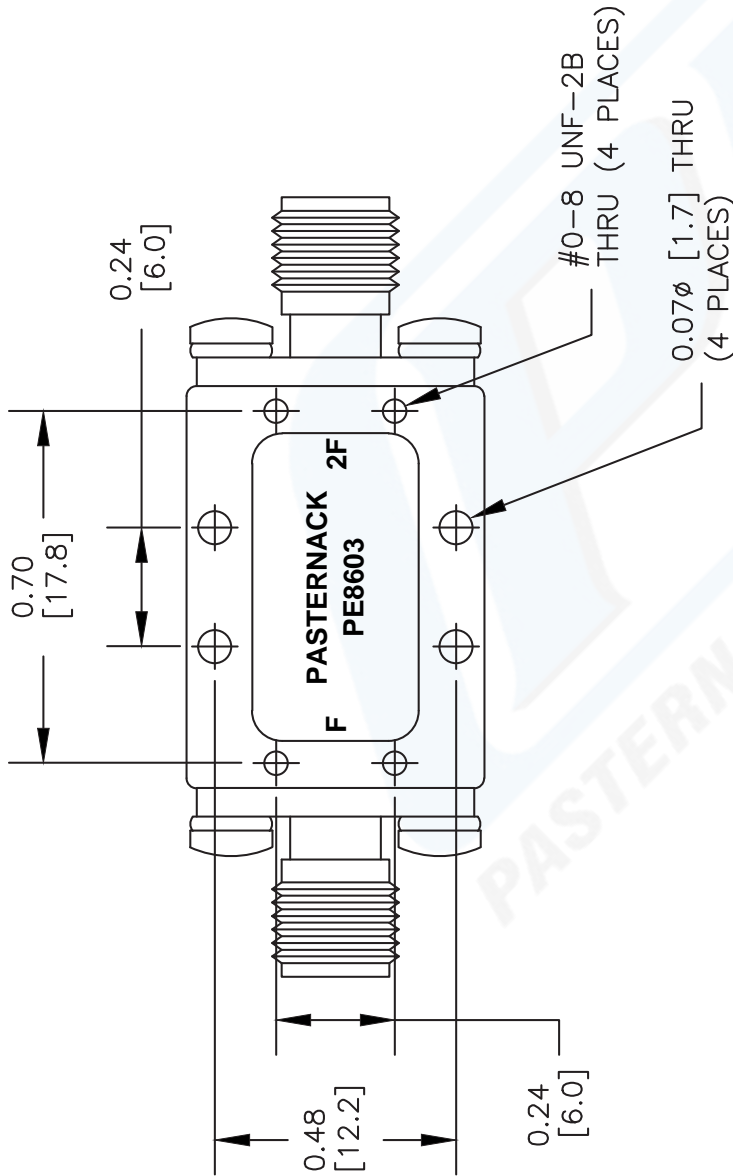
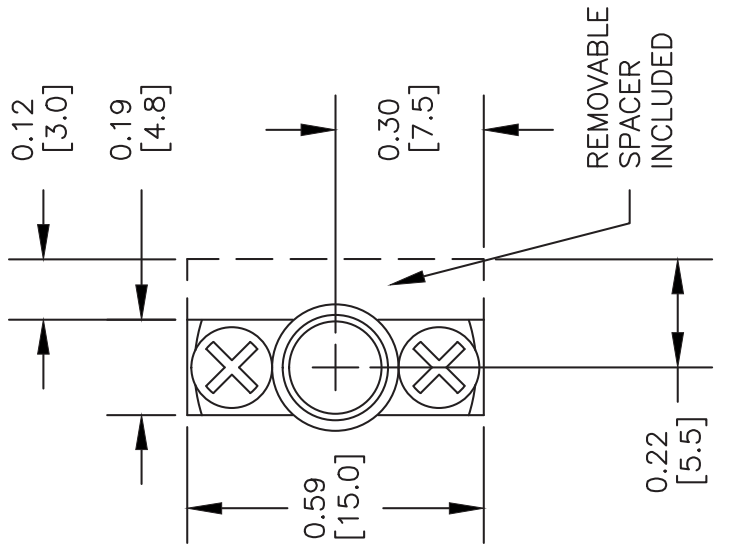
Click the following link (or enter part number in "SEARCH" on website) to obtain additional part information including price, inventory and certifications: [50 Ohm SMA Frequency Doubler With Input From 9000 MHz To 13000 MHz And Output From 18000 MHz To 26000 MHz With 10 dB Conversion Loss PE8603](http://www.pasternack.com/50-ohm-sma-doubler-input-9000-13000-output-18000-26000-10db-loss-pe8603-p.aspx)

URL: <http://www.pasternack.com/50-ohm-sma-doubler-input-9000-13000-output-18000-26000-10db-loss-pe8603-p.aspx>

The information contained in this document is accurate to the best of our knowledge and representative of the part described herein. It may be necessary to make modifications to the part and/or the documentation of the part, in order to implement improvements. Pasternack reserves the right to make such changes as required. Unless otherwise stated, all specifications are nominal.

PE8603 CAD Drawing

50 Ohm SMA Frequency Doubler With Input From 9000 MHz To 13000 MHz
And Output From 18000 MHz To 26000 MHz With 10 dB Conversion Loss



DWG TITLE

PE8603

NOTES:
1. UNLESS OTHERWISE SPECIFIED ALL DIMENSIONS ARE NOMINAL.
2. ALL SPECIFICATIONS ARE SUBJECT TO CHANGE WITHOUT NOTICE AT ANY TIME.
3. DIMENSIONS ARE IN INCHES [mm].

PASTERNACK
Pasternack Enterprises, Inc.
P.O. Box 16759 | Irvine | CA | 92623
Phone: (949) 261-1920 | Fax: (949) 261-7451
Website: www.pasternack.com | E-Mail: sales@pasternack.com

REV. C

FSCM NO. 53919

CAD FILE 120611

SCALE N/A

SIZE A

2233