

ISSUE 13; September 2014 - RoHS 2011/65/EU
Description

- Sub 1ppm performance TCXO manufactured for us by Rakon utilising their Pluto™ ASIC technology, a single chip oscillator and analogue compensation circuit operating over an extended temperature range. Its ability to function down to a supply voltage of 2.4V and low power consumption make it particularly suitable for mobile applications.
- -1A No ref voltage, ageing adj option
- -1B No ref voltage, no freq adj option
- -2A Ref voltage = 2.2V, ageing adj option
- -3A Ref voltage = 2.7V, ageing adj option


Frequency Parameters

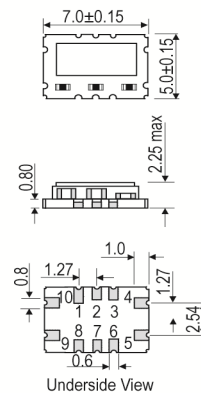
- Frequency 10.0MHz to 40.0MHz
- Frequency Stability $\pm 0.30\text{ppm}$ to $\pm 2.50\text{ppm}$
- Ageing $\pm 2\text{ppm}$ max in 1st year

Electrical Parameters

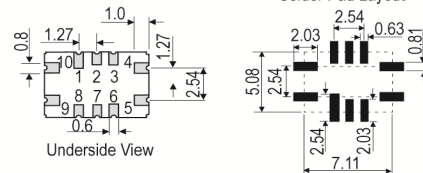
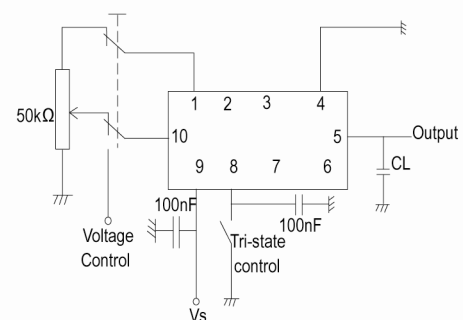
- Supply Voltage 3.3V $\pm 10\%$
- Supply Current: $1 + \text{Frequency}(\text{MHz}) * 1.2 * \{\text{Load}(\text{pF}) + 30\} * 10^{-3}\text{mA}$
- Supply voltages in the range 2.4V to 6.0V available to order, please contact our sales offices
- Optional reference voltage output on pad 1, suitable for potentiometer supply or DAC reference:
 1. No output (standard option)
 2. 2.2V, for Min. VS>2.4V
 3. 2.7V, for Min. VS>3.0V
 Maximum load current (mA) = $V_{\text{ref}}/10$
- For manual frequency adjustment connect an external 50k Ω potentiometer between pad 1 (Reference Voltage) and pad 4 (GND) with wiper connected to pad 10 (Voltage Control). Please specify reference voltage as part of the ordering code.

Frequency Adjustment

- Three options with external Voltage Control applied to pad 10:
- A. Ageing Adjustment:
 - > $\pm 5\text{ppm}$, frequency <20MHz
 - > $\pm 7\text{ppm}$, frequency >20MHz
- B. No frequency adjustment initial calibration @ 25°C < $\pm 1.0\text{ppm}$
- C. High Pulling $\pm 10\text{ppm}$ to $\pm 50\text{ppm}$ can be available depending on frequency and stability options (please contact our sales offices)
- Linearity: <1%
- Slope: Positive
- Input Resistance: >100k Ω
- Modulation Bandwidth: >2kHz
- Voltage Control Range:
 - Without reference voltage: 1.65V $\pm 1\text{V}$
 - With reference voltage: $V_c = 0\text{V}$ to V_{ref}
- Ageing:
 - $\pm 1\text{ppm}$ maximum in 1st year, frequency <20MHz
 - $\pm 3\text{ppm}$ maximum for 10 years (including the 1st year), frequency <20MHz
 - $\pm 2\text{ppm}$ maximum in 1st year, frequency $\geq 20\text{MHz}$
 - $\pm 5\text{ppm}$ maximum for 10 years (including the 1st year), frequency $\geq 20\text{MHz}$
- After Reflow: $\pm 1\text{ppm}$ max

Outline (mm)

Pad Connections

1. V ref
 2. N/C
 3. Do not connect
 4. GND
 5. Output
 6. N/C
 7. N/C
 8. Tri-state Control *
 9. +Vs
 10. Voltage Control*
- * Leave unconnected if not required

Solder Pad Layout

Test Circuit

Sales Office Contact Details:

UK: +44 (0)1460 270200

France: +33 (0)5 34 50 91 18

 Email: info@iqdfrequencyproducts.com

Germany: +49 (0) 30 408 192 300

USA: +1 408.273.4530

 Web: www.iqdfrequencyproducts.com



Operating Temperature Ranges

- 0 to 50°C
- 0 to 70°C
- -20 to 70°C
- -30 to 75°C
- -40 to 85°C

Output Details

- Output Compatibility Clipped Sinewave
- Load: 10kΩ // 10pF, AC-coupled

Output Control

- Tri-state Operation:
Logic '1' (>60% Vs) to pad 8 enables output
Logic '0' (<20% Vs) to pad 8 disables output
When at logic '0' the output stage is disabled for all output options, but the oscillator and compensation circuit are still active (current consumption <1mA)

Output Levels

- Vpk-pk > 0.8V

Noise Parameters

- Phase Noise Typical (@ 13.0MHz):
Offset dBc/Hz
10Hz -95
100Hz -120
1kHz -135
10kHz -140
100kHz -145

Environmental Parameters

- Storage Temperature Range: -55 to 125°C
- Shock: IEC 60068-2-27, Test Ea: 1500G acceleration for 6ms, 3 shocks in each of 3 mutually perpendicular planes
- Vibration: IEC 60068-2-6, Test Fc, Procedure B4: 10Hz-60Hz, 1.5mm displacement, 60-2000Hz at 98.1m/s², 30mins in 3 mutually perpendicular planes at 1 oct/min
- Solderability: MIL-STD-202, Method 208, Category 3

Ordering Information

- Frequency*
Model*
Reference Voltage + Frequency Adjustment Options*
Output
Frequency Stability (over operating temperature range)*
Operating Temperature Range*
Supply Voltage
(*minimum required)
- Example
10.0MHz CFPT-9008-1A
Clipped Sine ±1.0ppm -20 to 70C 3.3V
- Note: Certain frequency stability / temperature range combinations may not be available for all frequencies.

Compliance

- RoHS Status Compliant
- REACH Status Compliant
- MSL Rating (JDEC-STD-033): 1

Sales Office Contact Details:

UK: +44 (0)1460 270200

France: +33 (0)5 34 50 91 18

Email: info@iqdfrequencyproducts.com

Germany: +49 (0) 30 408 192 300

USA: +1 408.273.4530

Web: www.iqdfrequencyproducts.com



Packaging Details

- Pack Style: Reel Tape & reel in accordance with EIA-481-D
Pack Size: 1,000
- Pack Style: Bulk Loose in bulk pack
Pack Size: 10

Electrical Specification - maximum limiting values 3.3V ±10%

Frequency Min	Frequency Max	Temperature Range	Stability (Min)	Current Draw	Rise and Fall Time	Duty Cycle
		°C	ppm	mA	ns	%
10.0MHz	40.0MHz	0 to 70	±0.3	-	-	-
		-20 to 70	±0.5	-	-	-
		-30 to 75	±1.0	-	-	-
		-40 to 85	±1.0	-	-	-

This document was correct at the time of printing; please contact your local sales office for the latest version.
[Click to view latest version on our website.](#)

Sales Office Contact Details:

UK: +44 (0)1460 270200

France: +33 (0)5 34 50 91 18

Email: info@iqdfrequencyproducts.com

Germany: +49 (0) 30 408 192 300

USA: +1 408.273.4530

Web: www.iqdfrequencyproducts.com