



75 Ohm F DC Block Operating From 10 MHz to 2 GHz

TECHNICAL DATA SHEET

PE8241

75 Ohm F DC Block Operating From 10 MHz to 2 GHz

Configuration

Design	Outer DC Block
Body Style	Straight
Impedance	75 Ohms
Connector 1	F Male
Connector 2	F Female

Electrical Specifications

Frequency Range, GHz	0.01 to 2
Impedance, Ohms	75
Maximum VSWR	1.35:1
Maximum Insertion Loss, dB	0.5
Maximum Operating Voltage, Vrms	200

Mechanical Specifications

Temperature

Operating Range, deg C	-55 to +80
------------------------	------------

Size

Length, in [mm]	1.46 [37.08]
Width/Dia., in [mm]	0.438 [11.13]
Body Material and Plating	Plastic

Connector 1

Type	F Male
Inner Conductor Material and Plating	Brass, Nickel
Body Material and Plating	Brass, Nickel

Connector 2

Type	F Female
Inner Conductor Material and Plating	Brass, Nickel
Body Material and Plating	Brass, Nickel

Compliance Certifications (visit www.Pasternack.com for current document)

RoHS Compliant	Yes
----------------	-----

Click the following link (or enter part number in "SEARCH" on website) to obtain additional part information including price, inventory and certifications: [75 Ohm F DC Block Operating From 10 MHz to 2 GHz PE8241](#)

The information contained in this document is accurate to the best of our knowledge and representative of the part described herein. It may be necessary to make modifications to the part and/or the documentation of the part, in order to implement improvements. Pasternack reserves the right to make such changes as required. Unless otherwise stated, all specifications are nominal.



75 Ohm F DC Block Operating From 10 MHz to 2 GHz

TECHNICAL DATA SHEET

PE8241

Plotted and Other Data

Notes:

Values at 25 °C, sea level

75 Ohm F DC Block Operating From 10 MHz to 2 GHz from Pasternack Enterprises has same day shipment for domestic and International orders. Our RF, microwave and fiber optic products maintain a 99% availability and are part of the broadest selection in the industry.

Click the following link (or enter part number in "SEARCH" on website) to obtain additional part information including price, inventory and certifications: [75 Ohm F DC Block Operating From 10 MHz to 2 GHz PE8241](http://www.pasternack.com/75-ohm-f-outer-dc-block-0.1-2-ghz-pe8241-p.aspx)

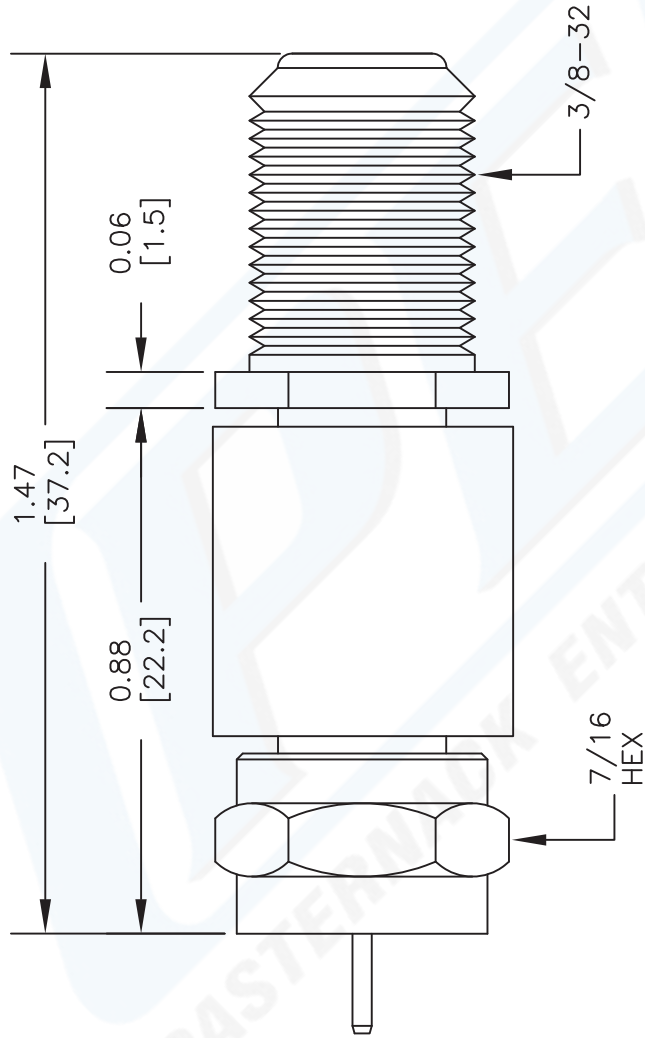
URL: <http://www.pasternack.com/75-ohm-f-outer-dc-block-0.1-2-ghz-pe8241-p.aspx>

The information contained in this document is accurate to the best of our knowledge and representative of the part described herein. It may be necessary to make modifications to the part and/or the documentation of the part, in order to implement improvements. Pasternack reserves the right to make such changes as required. Unless otherwise stated, all specifications are nominal.



PE8241 CAD Drawing

75 Ohm F DC Block Operating From 10 MHz to 2 GHz



DWG TITLE

PE8241

NOTES:
 1. UNLESS OTHERWISE SPECIFIED ALL DIMENSIONS ARE NOMINAL.
 2. ALL SPECIFICATIONS ARE SUBJECT TO CHANGE WITHOUT NOTICE AT ANY TIME.
 3. DIMENSIONS ARE IN INCHES [mm].

FSCM NO. 53919

CAD FILE 110812-A

SCALE N/A

SIZE A

2233



PASTERNAK®
 Pasternack Enterprises, Inc.
 P.O. Box 16759 | Irvine | CA | 92623

Phone: (949) 261-1920 | Fax: (949) 261-7451

Website: www.pasternack.com | E-Mail: sales@pasternack.com