

Variable Attenuators and Phase Shifters

18 - 325 GHz

3(WG) 103/112 Series

V2.00

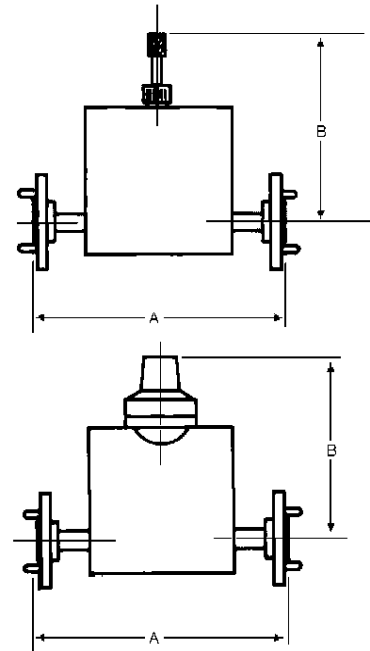
Dial Variable Phase Shifter Features

- 0° - 180° Phase Shift
- Accurate Repeatability
- Minimum Insertion Loss
- Frequency Calibration Available

Description

Variable waveguide phase shifters provide a simple and convenient means of varying the electrical length of a transmission line. Principal usage is in a bridge circuit where it is possible to compare a known phase shift to some unknown phase shift of a device under test. Differential phase shifts of production units can be tested quickly by this null test and accurate numbers can be assigned to phase differences from unit to unit. Single frequency operation is recommended, but calibrations can be provided over a range of frequencies.

In this series of phase shifters, a dielectric vane traverses the center of the waveguide broadwall through a non-radiating waveguide slot. The positioning mechanism is controlled by a locking dial counter driving a differential screw. This allows fine definition of the phase shift angle and assures repeatability of any selected position. The design provides for a minimum of 180° of phase shift at the lowest frequency in any of the waveguide bands from 18 to 325 GHz.



Variable Attenuator Features

- Dial Variable
- Calibrated and Uncalibrated
- Low and High Power
- Full Waveguide Bandwidths
- Accurate Resetability
- Minimum VSWR

Description

This series of dial adjustable attenuators provides an inexpensive method of making measurements in fixed frequency laboratory or production test set-ups. They consist of a section of waveguide into which an adjustable resistive vane is inserted. The mechanical drive is designed to reduce backlash and provide positive definition for attenuation settings of up to 30 dB. A calibration chart will be provided with model number series 103.

Mechanical Specifications

Waveguide	WR-42	WR-28	WR-22	WR-19	WR-15	WR-12	WR-10	WR-08	WR-06	WR-05	WR-04	WR-03
RF Mating Flange MIL-F-3922/	54-001-M	68-001	67B-006	67B-007	67B-008	67B-009	67B-010	74-001	74-002	74-003	74-004	74-005
UG Reference	595/U	599/U	383/U	383/U-M	385/U	387/U	387/U-M	Pin Contact	Pin Contact	Pin Contact	Pin Contact	Pin Contact
Dim (Max.) Inch (mm) A	3.50 (88.9)	3.00 (76.2)	3.00 (76.2)	3.00 (76.2)	2.75 (69.9)	2.75 (69.9)	2.75 (69.9)	2.50 (63.5)	2.50 (63.5)	2.50 (63.5)	2.50 (63.5)	2.50 (63.5)

Specifications Subject to Change Without Notice.

M/A-COM, Inc.

North America: Tel. (800) 366-2266
Fax (800) 618-8883

■ Asia/Pacific: Tel. +81 (03) 3226-1671
Fax +81 (03) 3226-1451

■ Europe: Tel. +44 (1344) 869 595
Fax +44 (1344) 300 020

Specifications at 25° C

Variable Attenuators²

Waveguide	Frequency (GHz)	VSWR (Max.)	Power (W)	Knob Variable Model Number	Dial Variable Part Number	Dial Calibrated ^d Part Number
WR-42	18-26.5	1.15	0.7	3-42-101	3-42-102	3-42-103
WR-28	26.5-40	1.15	0.6	3-28-101	3-28-102	3-28-103
WR-22	33-50	1.15	0.6	3-22-101	3-22-102	3-22-103
WR-19	40-60	1.15	0.5	3-19-101	3-19-102	3-19-103
WR-15	50-75	1.15	0.4	3-15-101	3-15-102	3-15-103
WR-12	60-90	1.15	0.4	3-12-101	3-12-102	3-12-103
WR-10	75-110	1.15	0.3	3-10-101	3-10-102	3-10-103
WR-08	90-140	1.17	0.1	3-08-101	3-08-102	3-08-103
WR-06	110-170	1.19	.08	3-06-101	3-06-102	3-06-103
WR-05	140-220	1.21	.05	3-05-101	3-05-102	-
WR-04	170-260	1.25	.03	3-04-101	3-04-102	-
WR-03	220-325	1.30	.01	3-03-101	3-03-102	-

Notes:

1. When ordering, specify center frequency.
2. Variable to 30 dB Max.

Specifications at 25° C

Phase Shifters

Waveguide	Frequency (GHz)	VSWR (Max.)	Insertion Loss (dB)	Power Handling (W)	Part Number
WR-42	18-26.5	1.15	0.5	.5	3-42-112
WR-28	26.5-40	1.15	0.5	.5	3-28-112
WR-22	33-50	1.15	0.5	.5	3-22-112
WR-19	40-60	1.15	0.7	.3	3-19-112
WR-15	50-75	1.15	0.7	.3	3-15-112
WR-12	60-90	1.15	1.0	.3	3-12-112
WR-10	75-110	1.15	1.0	.3	3-10-112
WR-08	90-140	1.20	0.9	.3	3-08-112
WR-06	110-170	1.25	0.9	.2	3-06-112
WR-05	140-220	1.30	1.0	.2	3-05-112
WR-04	170-260	1.35	1.2	.1	3-04-112
WR-03	220-325	1.40	1.5	.1	3-03-112

Specifications Subject to Change Without Notice.