



Bulkhead Hermetically Sealed MHV  
Female to MHV Female Adapter

RF Adapters Technical Data Sheet

PE9268

**Configuration**

Connector 1	MHV Female
Connector 2	MHV Female
Impedance	50 Ohms
Adapter Design	Standard
Body Style	Straight

**Mechanical Specifications**

**Size**

Length	1.433 in [36.4 mm]
Width	0.688 in [17.48 mm]

Description	Connector 1	Connector 2	Unit
Type	MHV Female	MHV Female	
Polarity	Standard	Standard	
Connector Option	Hermetically Sealed		

**Material Specifications**

Description	Connector 1		Connector 2	
	Material	Plating	Material	Plating
Type	MHV Female		MHV Female	
Contact		Silver		Silver
Insulation	PTFE		PTFE	
Body	Brass	Nickel	Brass	Nickel

Environmental Specification Notes:  
Pressure Rating: 50 PSI

Click the following link (or enter part number in "SEARCH" on website) to obtain additional part information including price, inventory and certifications: [Bulkhead Hermetically Sealed MHV Female to MHV Female Adapter PE9268](#)





Bulkhead Hermetically Sealed MHV  
Female to MHV Female Adapter

RF Adapters Technical Data Sheet

PE9268

**Compliance Certifications** (visit [www.Pasternack.com](http://www.Pasternack.com) for current document)

RoHS Compliant

REACH Compliant

06/18/2012

Bulkhead Hermetically Sealed MHV Female to MHV Female Adapter from Pasternack Enterprises has same day shipment for domestic and International orders. Our RF, microwave and millimeter wave products maintain a 99% availability and are part of the broadest selection in the industry.

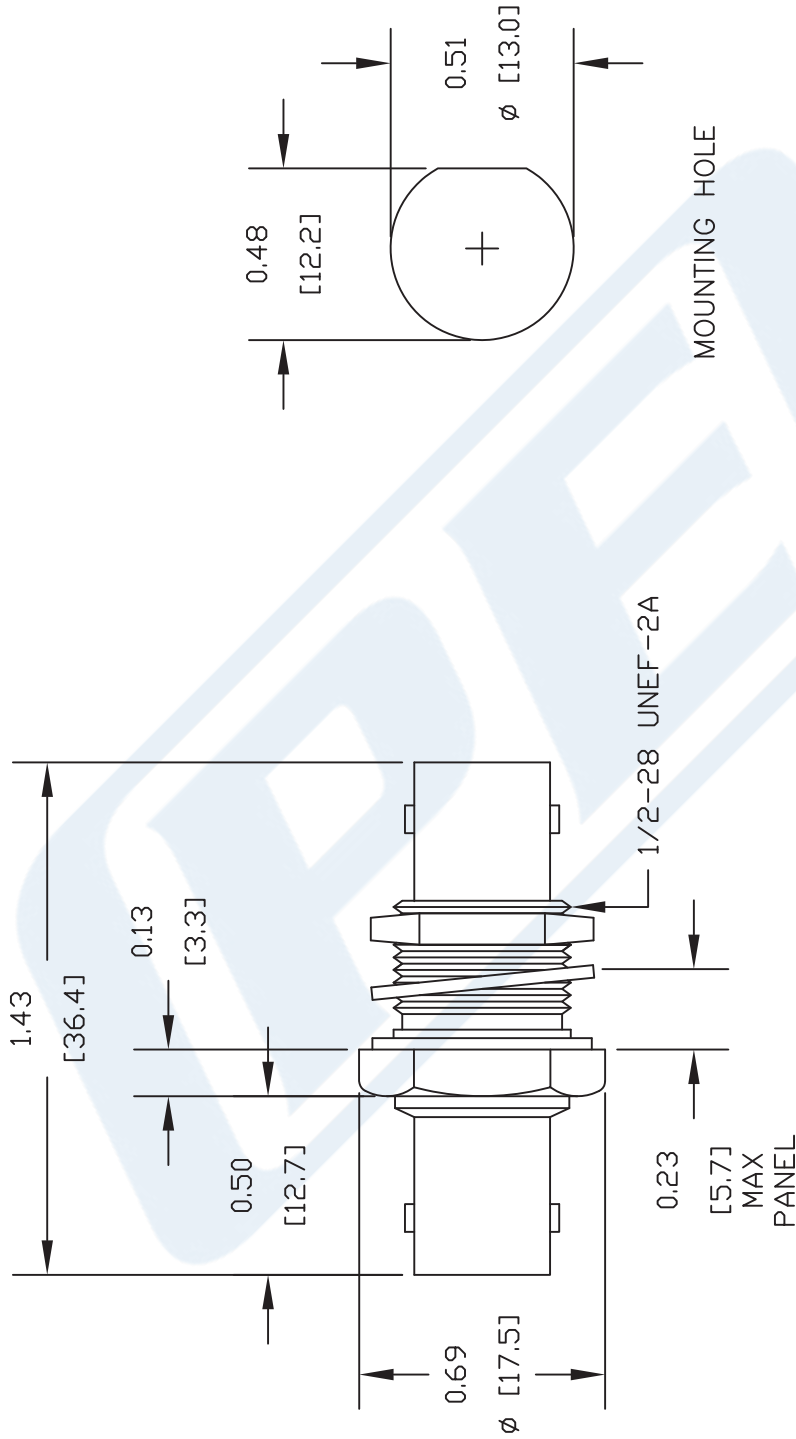
Click the following link (or enter part number in "SEARCH" on website) to obtain additional part information including price, inventory and certifications: [Bulkhead Hermetically Sealed MHV Female to MHV Female Adapter PE9268](http://www.Pasternack.com/mhv-female-mhv-female-straight-adapter-pe9268-p.aspx)

URL: <http://www.pasternack.com/mhv-female-mhv-female-straight-adapter-pe9268-p.aspx>

The information contained in this document is accurate to the best of our knowledge and representative of the part described herein. It may be necessary to make modifications to the part and/or the documentation of the part, in order to implement improvements. Pasternack reserves the right to make such changes as required. Unless otherwise stated, all specifications are nominal. Pasternack does not make any representation or warranty regarding the suitability of the part described herein for any particular purpose, and Pasternack does not assume any liability arising out of the use of any part or documentation.

# PE9268 CAD Drawing

Bulkhead Hermetically Sealed MHV Female to MHV Female Adapter



DWG TITLE

**PE9268**

NOTES:  
 1. UNLESS OTHERWISE SPECIFIED ALL DIMENSIONS ARE NOMINAL.  
 2. ALL SPECIFICATIONS ARE SUBJECT TO CHANGE WITHOUT NOTICE AT ANY TIME.  
 3. DIMENSIONS ARE IN INCHES [mm].

REV. A

FSCM NO. 53919

CAD FILE 042110

SCALE N/A

SIZE A

127

**PE PASTERNAK®**

Pasternack Enterprises, Inc.  
 P.O. Box 16759 | Irvine | CA | 92623  
 Phone: (949) 261-1920 | Fax: (949) 261-7451  
 Website: www.pasternack.com | E-Mail: sales@pasternack.com