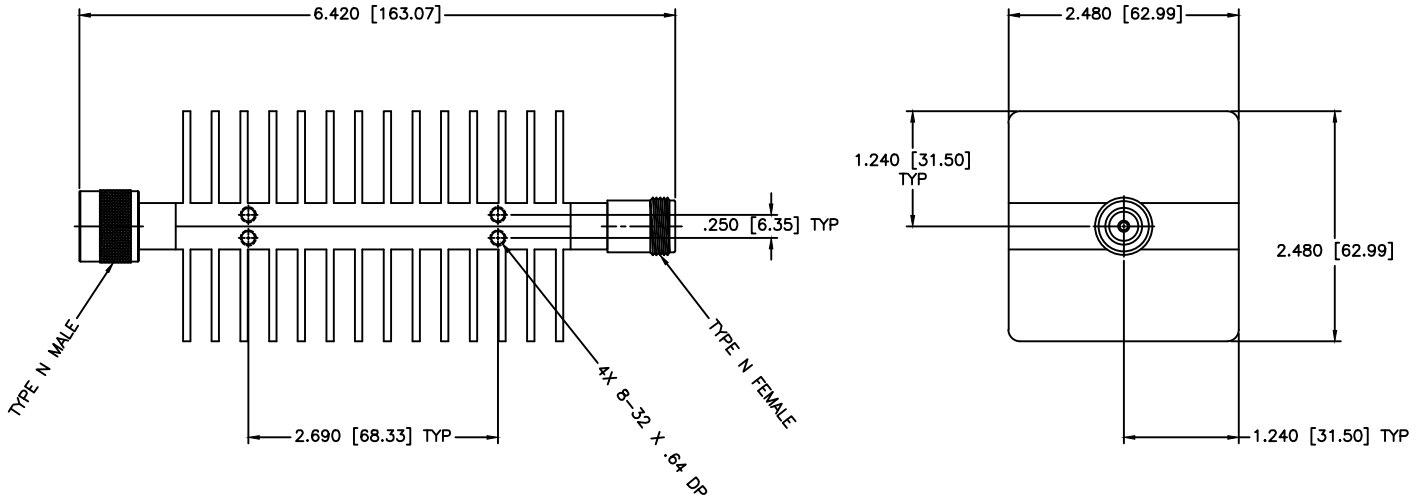


REVISIONS				
ZONE	REV	DESCRIPTION	DATE	APPROVED



SPECIFICATIONS

Frequency Range: DC-3 GHz
 VSWR: 1.20:1 Max.
 Power @ 25°C: 50 Watts
 Attenuation Accuracy: ±0.75dB To 30dB
 Operating Temperature: -65°C to +125°C
 Impedance: 50 Ohms

Mechanical
 Shell: Passivated Stainless Steel
 Contact: Gold Plated Beryllium Copper
 Housing: Anodized Aluminum

UNLESS OTHERWISE SPECIFIED: TOLERANCES: IN (INCHES) OR (mm) (MILLIMETERS) FRACTIONS: ± 1/64 DECIMALS: ± 0.005 ANGLES: ± 1/2°	MCLI MICROWAVE COMMUNICATIONS LABORATORIES, INC. 7250 30TH AVE. N. SAINT PETERSBURG, FL 33710 TEL: (727) 344-8284 FAX: (727) 381-8118 WWW.MCLI.COM	SCALE: N/A SHEET: N/A
	DRAWING TITLE: 50 WATTS ATTENUATOR, TYPE SMA	PART NO.: FAN-7-30
DRAWN: Paboon Luethamhan DATE: 08-30-2002	APPROVED: T. Nguyen DATE: 08-30-2002	DO NOT SCALE THE DRAWING