

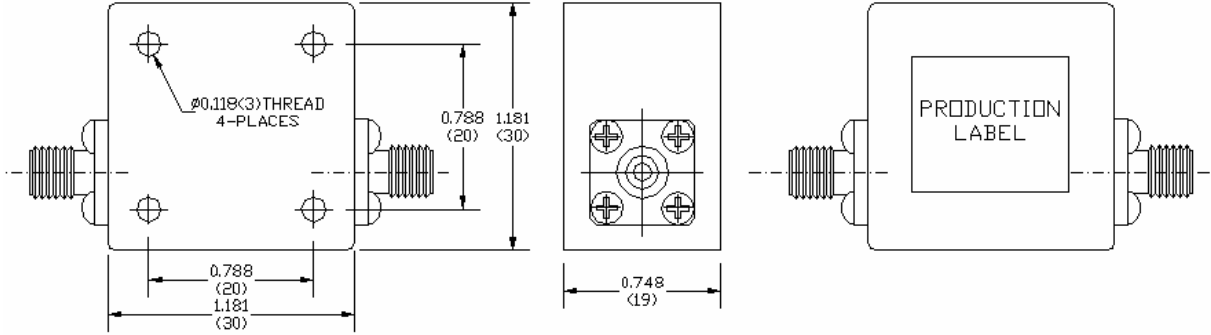
Key Features:

- Frequency range: 250~600MHz, up to 8% bandwidth
- SMA connectorized configuration
- Small size, low cost
- Power handling +10 Watts
- Operating temperature -10~+55°C
- Customer specify center frequency and bandwidth

Electrical Specifications

Part No.	Freq Range MHz	Insertion Loss, dB	Reverse Isolation, dB	VSWR	Forward Power, Watts	Reverse Power Watts	Temp. Range, °C
F2340-0300-07	290-310	0.6 Max	≥ 20	≤ 1.2	≥ 10	≥ 10	-10 ~ +55
F2340-0320-06	310-330	0.6 Max	≥ 20	≤ 1.2	≥ 10	≥ 10	-10 ~ +55
F2340-0450-09	430~470	0.6 Max	≥ 20	≤ 1.2	≥ 10	≥ 10	-10 ~ +55
F2340-0500-08	480~520	0.6 Max	≥ 20	≤ 1.2	≥ 10	≥ 10	-10 ~ +55
F2340-0570-07	550-590	0.6 Max	≥ 20	≤ 1.2	≥ 10	≥ 10	-10 ~ +55

Mechanical Structure:



Note: All units in inches(mm).

Ordering Information:

