

800-2500MHz 2-3-4 Way Microstrip Power Divider

Features:

- ◇ High Power Handling, Wide Frequency range
- ◇ Low Insertion Loss, High Isolation
- ◇ Available for 2 Way, 3 Way and 4 Way
- ◇ SMA Connector Options
- ◇ Custom Design Available Upon Request

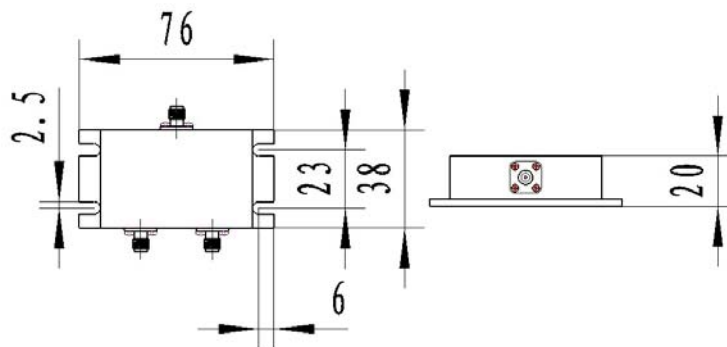
Products Specifications

Part Number	KTPD-M0825-02	KTPD-M0825-03	KTPD-M0825-04
Frequency Range	800MHz -2500MHz	800MHz -2500MHz	800MHz -2500MHz
Ports Way	1 To 2	1 To 3	1 To 4
Insertion Loss	≤3.5dB	≤5.5dB	≤6.5dB
Isolation	≥20dB	≥20dB	≥20dB
VSWR	≤1.3	≤1.3	≤1.3
Forward Power	50W		
Impedance	50Ω		
Connector Type	SMA – Female		
Operating Temperature	-40℃~+60℃		
Humidity	5%~95%		
Dimension	As per the Outline Drawing		

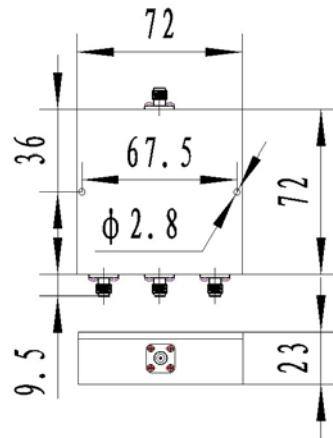
Note: xx refer to ports way

Outline Drawing (mm)

(1) 2 Way Microstrip Power Divider



(2) 3 Way Microstrip Power Divider



(3) 4 Way Microstrip Power Divider

