

Waveguide Isolators

Part Number: KTWI400-10

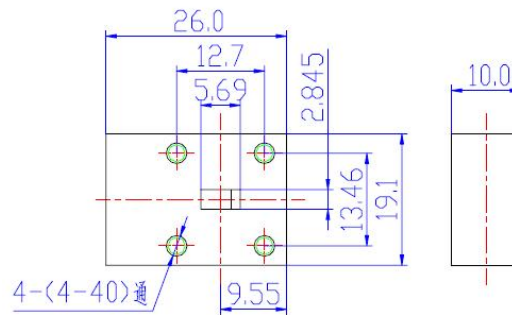
Main Features:

- Broad Frequency Range: 32.9GHz - 50.1GHz
- High Isolation, Low Insertion Loss, Small Size
- Wide Operating Temperature: -40°C~+80°C
- Commercial, Military and Space Applications

Electrical Specifications at Room Temperature:

Part Number	Freq. Range (GHz)	Bandwidth Max. (MHz)	Insertion Loss Max. (dB)	Isolation Min. (dB)	VSWR Max.	Waveguide Type
KTWI400-10	32.9 - 50.1	1000	0.5	25	1.20	WR22
KTWI400-10	32.9 - 50.1	2000	0.6	23	1.25	WR22

Mechanical Dimensions (mm):



HOW TO ORDER

