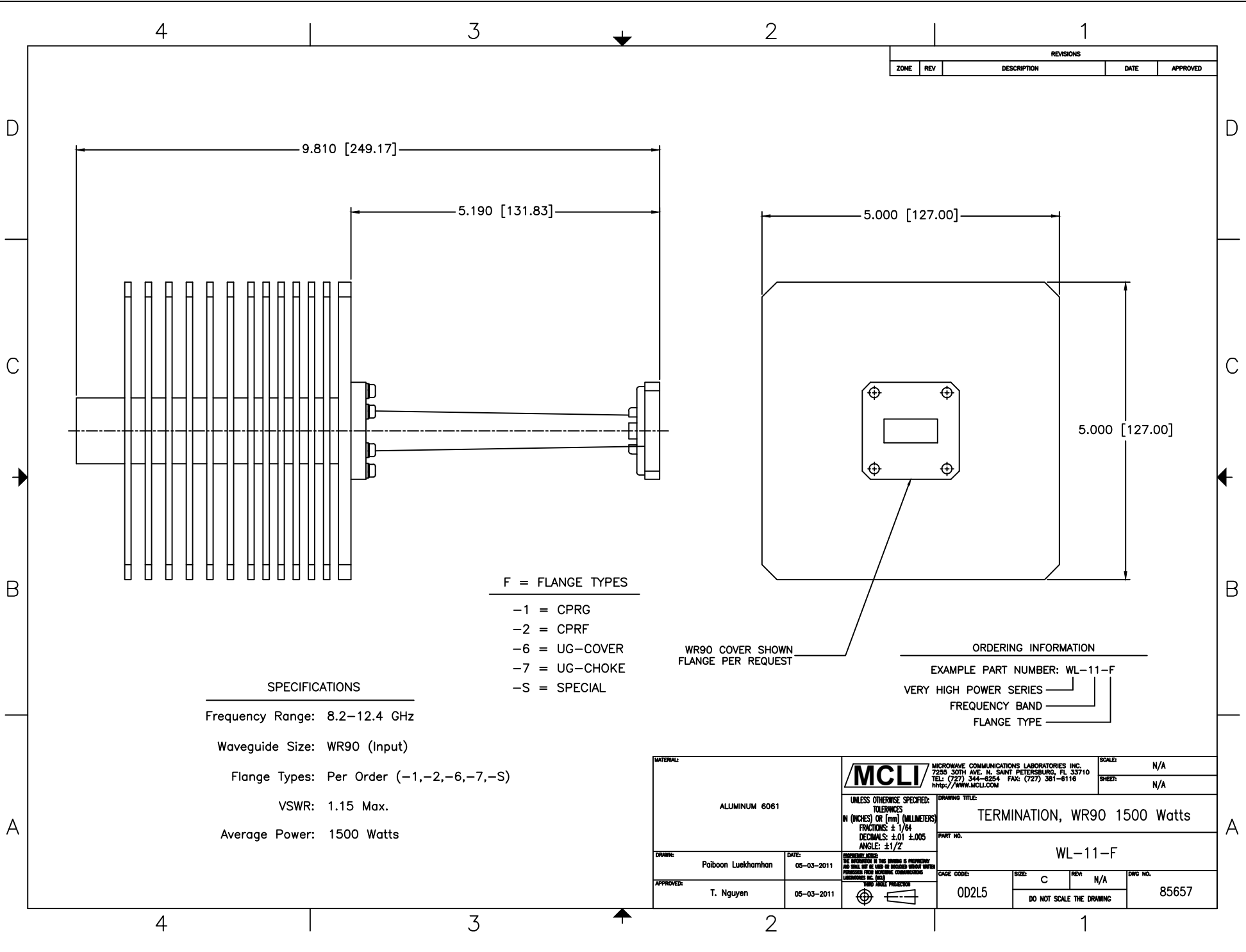


REVISIONS				
ZONE	REV	DESCRIPTION	DATE	APPROVED



F = FLANGE TYPES

- 1 = CPRG
- 2 = CPRF
- 6 = UG-COVER
- 7 = UG-CHOKE
- S = SPECIAL

SPECIFICATIONS

Frequency Range: 8.2-12.4 GHz
 Waveguide Size: WR90 (Input)
 Flange Types: Per Order (-1,-2,-6,-7,-S)
 VSWR: 1.15 Max.
 Average Power: 1500 Watts

WR90 COVER SHOWN
 FLANGE PER REQUEST

ORDERING INFORMATION

EXAMPLE PART NUMBER: WL-11-F
 VERY HIGH POWER SERIES
 FREQUENCY BAND
 FLANGE TYPE

MATERIAL: ALUMINUM 6061		MICROWAVE COMMUNICATIONS LABORATORIES INC. 7225 30TH AVE. N. SAINT PETERSBURG, FL 33710 TEL: (727) 344-6254 FAX: (727) 381-8116 HTTP://WWW.MCLI.COM		SCALE: N/A
DRAWN: Paiboon Luekhamhan		DATE: 05-03-2011	DRAWING TITLE: TERMINATION, WR90 1500 Watts	
APPROVED: T. Nguyen		DATE: 05-03-2011	PART NO. WL-11-F	SHEET: N/A
<small>UNLESS OTHERWISE SPECIFIED: TOLERANCES IN (INCHES) OR (mm) (MILLIMETERS) FRACTIONS: ± 1/64 DECIMALS: ± 0.01 ± 0.005 ANGLE: ± 1/2°</small>		CAGE CODE: OD2L5	SIZE: C	REV: N/A
<small>DEPENDENT ITEMS: SEE DRAWINGS IN THIS DRAWING IS PROPRIETARY AND SHALL NOT BE USED OR REPRODUCED WITHOUT PERMISSION FROM MICROWAVE COMMUNICATIONS LABORATORIES INC. (MCLI) THIS SCALE PRECEDES</small>		DO NOT SCALE THE DRAWING	DWG NO. 85657	