

TNC Tee Adapter Male-Female-Female



TECHNICAL DATA SHEET

PE9290

TNC Tee Adapter Male-Female-Female

Configuration

Connector 1	TNC Male
Impedance 1	50 Ohms
Connector 2	TNC Female
Impedance 2	50 Ohms
Connector 3	TNC Female
Adapter Design	Standard
Body Style	Tee

Mechanical Specifications

Temperature

Operating Range, deg C	-65 to +165
------------------------	-------------

Size

Length, in [mm]	1.575 [40.01]
Width/Dia., in [mm]	0.59 [14.99]
Height, in [mm]	1 [25.4]

Connector 1

Type	TNC Male
Inner Conductor Material and Plating	Silver
Inner Conductor Plating Specification	QQ-S-365
Coupling Nut Material and Plating	Brass, Nickel
Body Material and Plating	Brass, Nickel
Dielectric Type	Teflon

Connector 2

Type	TNC Female
Inner Conductor Material and Plating	Silver
Inner Conductor Plating Specification	QQ-S-365
Body Material and Plating	Brass, Nickel
Dielectric Type	Teflon

Connector 3

Type	TNC Female
Inner Conductor Material and Plating	Silver
Inner Conductor Plating Specification	QQ-S-365
Body Material and Plating	Brass, Nickel
Dielectric Type	Teflon

Compliance Certifications (visit www.Pasternack.com for current document)

RoHS Compliant	Yes
----------------	-----

Click the following link (or enter part number in "SEARCH" on website) to obtain additional part information including price, inventory and certifications: [TNC Tee Adapter Male-Female-Female PE9290](#)

The information contained in this document is accurate to the best of our knowledge and representative of the part described herein. It may be necessary to make modifications to the part and/or the documentation of the part, in order to implement improvements. Pasternack reserves the right to make such changes as required. Unless otherwise stated, all specifications are nominal.

TNC Tee Adapter Male-Female-Female



TECHNICAL DATA SHEET

PE9290

Plotted and Other Data

Notes:

Values at 25 °C, sea level

TNC Tee Adapter Male-Female-Female from Pasternack Enterprises has same day shipment for domestic and International orders. Our RF, microwave and fiber optic products maintain a 99% availability and are part of the broadest selection in the industry.

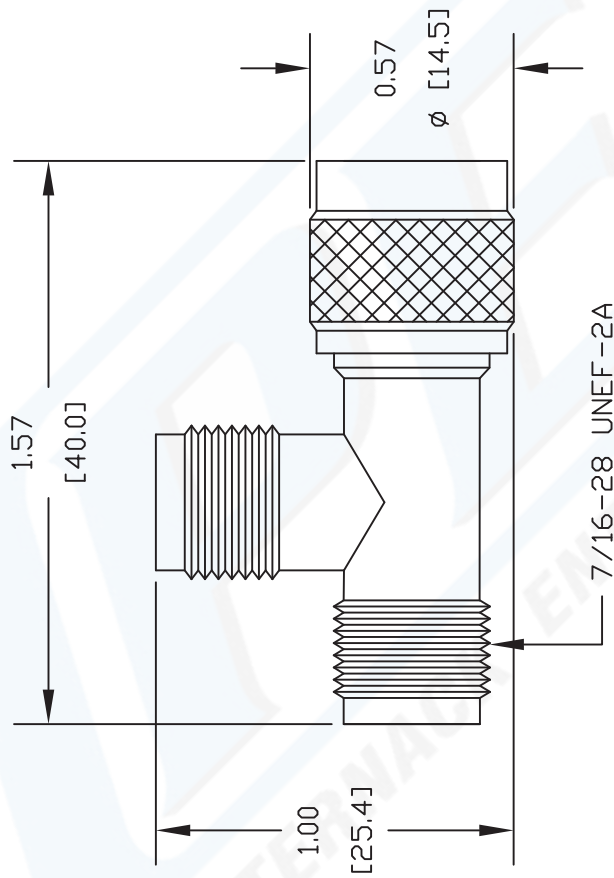
Click the following link (or enter part number in "SEARCH" on website) to obtain additional part information including price, inventory and certifications: [TNC Tee Adapter Male-Female-Female PE9290](#)

URL: <http://www.pasternack.com/tnc-male-female-female-tee-adapter-pe9290-p.aspx>

The information contained in this document is accurate to the best of our knowledge and representative of the part described herein. It may be necessary to make modifications to the part and/or the documentation of the part, in order to implement improvements. Pasternack reserves the right to make such changes as required. Unless otherwise stated, all specifications are nominal.

PE9290 CAD Drawing

TNC Tee Adapter Male-Female-Female



DWG TITLE

PE9290

NOTES:
 1. UNLESS OTHERWISE SPECIFIED ALL DIMENSIONS ARE NOMINAL.
 2. ALL SPECIFICATIONS ARE SUBJECT TO CHANGE WITHOUT NOTICE AT ANY TIME.
 3. DIMENSIONS ARE IN INCHES [mm].

REV. -

FSCM NO. 53919

CAD FILE 090402

SCALE N/A

SIZE A

127



PASTERNAK®
 Pasternack Enterprises, Inc.
 P.O. Box 16759 | Irvine | CA | 92623
Phone: (949) 261-1920 | **Fax:** (949) 261-7451
Website: www.pasternack.com | **E-Mail:** sales@pasternack.com