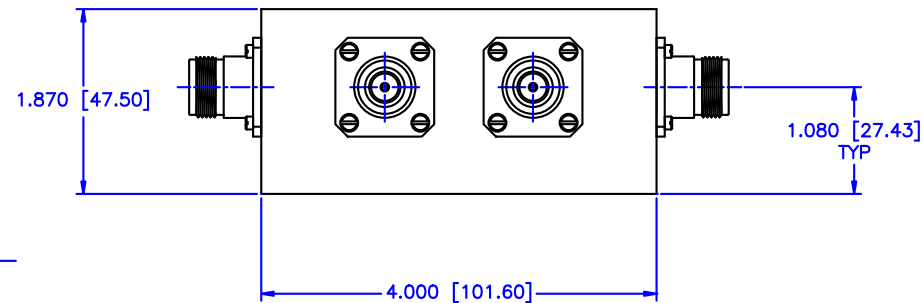
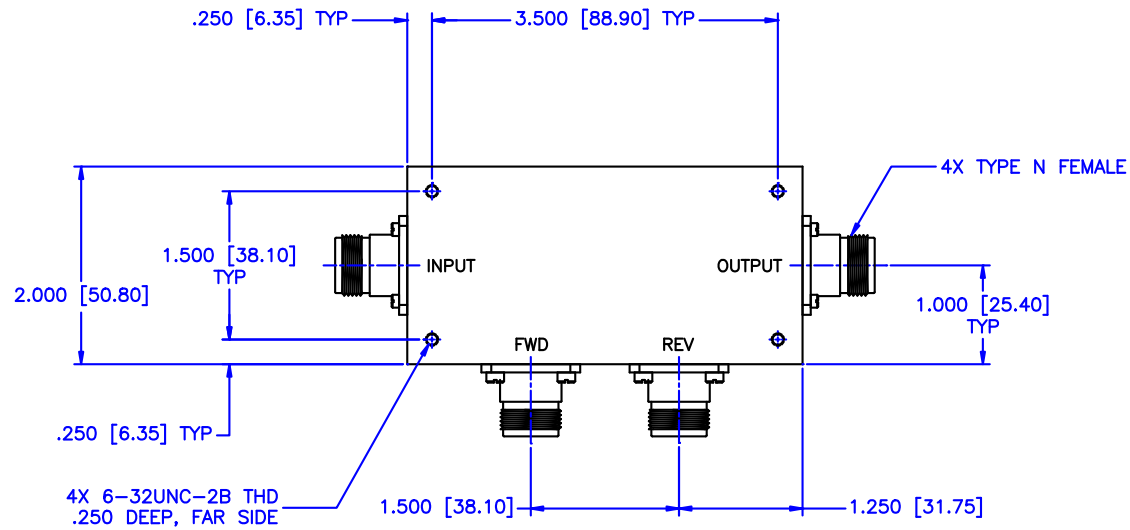


REVISIONS				
ZONE	REV	DESCRIPTION	DATE	APPROVED



SPECIFICATIONS

- Frequency Range: 100–200 MHz
- Coupling: 30dB
- Flatness: ± 0.5 dB
- Insertion Loss: 0.25dB Max.
- Directivity: 20dB Min.
- VSWR Prime Line: 1.10:1 Max.
- Power: 200 Watts CW
- Operating Temperature: -55°C to $+85^{\circ}\text{C}$
- None Operating Temperature: -65°C to $+85^{\circ}\text{C}$
- Humidity: 90%, None Condensing

MATERIAL:		MCLI MICROWAVE COMMUNICATIONS LABORATORIES INC. 7255 30TH AVE. N. SAINT PETERSBURG, FL 33710 TEL: (727) 344-6254 FAX: (727) 381-6116 http://WWW.MCLI.COM	SCALE: N/A
DRAWN: Paiboon Luekhamhan			SHEET: N/A
DATE: 12-22-2010		UNLESS OTHERWISE SPECIFIED: TOLERANCES IN (INCHES) OR [mm] (MILLIMETERS) FRACTIONS: $\pm 1/64$ DECIMALS: $\pm 0.01 \pm 0.005$ ANGLE: $\pm 1/2^{\circ}$	DRAWING TITLE: HIGH POWER DUAL DIRECTIONAL COUPLER
APPROVED: T. Nguyen		DATE: 12-22-2010	PART NO.: HDL-55-30
THIRD ANGLE PROJECTION		CAGE CODE: OD2L5	SIZE: C REV: N/A DWG NO.: 85172
		DO NOT SCALE THE DRAWING	