

4

3

2

1

REVISIONS				
ZONE	REV	DESCRIPTION	DATE	APPROVED

MECHANICAL  
 CONTACT: BREAK BEFORE MAKE  
 ACTUATOR: LATCHING  
 SWITCHING SPEED: 20 mSEC MAX

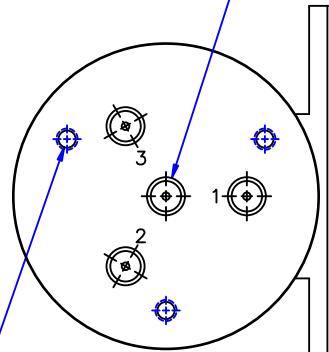
ELECTRICAL  
 ACTUATOR VOLTAGE: 28.0 Vdc (22.0–32.0 Vdc)  
 ACTUATOR CURRENT: 0.300 A MAX @ 28.0 Vdc  
 POWER HANDLING: 200 WCW @ 1.0 GHz  
 IMPEDANCE: 50 OHMS

ENVIRONMENTAL  
 OPERATING TEMP: -54°C to +90°C  
 SINE VIBRATION: 30 G'S rms  
 LIFE : 1,000,000 CYCLES  
 RANDOM VIBRATION: 20 G'S rms

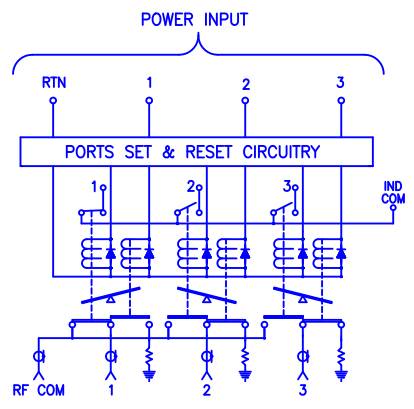
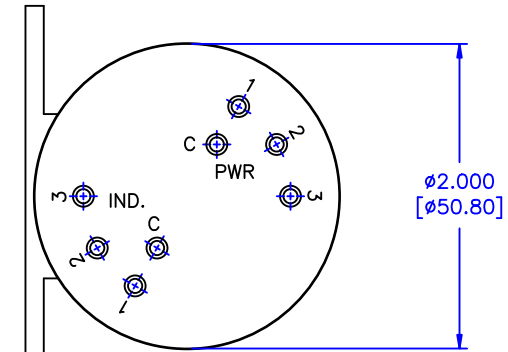
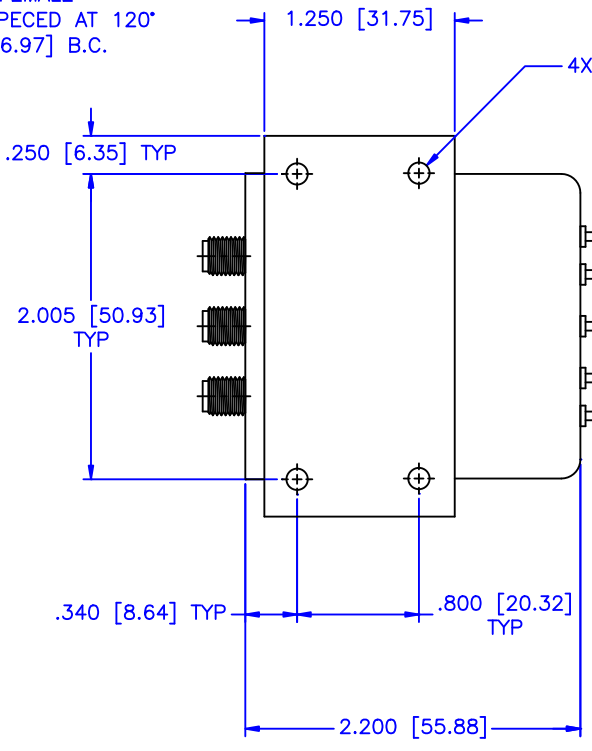
SPECIFICATION:

FREQUENCY RANGE (GHz):	DC-2.0	2.0-4.0	4.0-8.0	8.0-12.4	12.4-18.0
VSWR (Max.):	1.20:1	1.25:1	1.30:1	1.40:1	1.50:1
INSERTION LOSS (dB):	0.20	0.25	0.30	0.40	0.50
ISOLATION (dB):	90	80	80	70	60

(4) TYPE SMA FEMALE  
 (3) EQUALLY SPECED AT 120°  
 ON  $\phi 1.062$  [ $\phi 26.97$ ] B.C.



(3) 8-32UNC-2B THD X .220 DEEP  
 EQUALLY SPACED ON  $\phi 1.500$  B.C.



MATERIAL:	
DRAWN: Paiboon Luekhamhan	DATE: 03-02-2009
APPROVED: T. Nguyen	DATE: 03-02-2009



MICROWAVE COMMUNICATIONS LABORATORIES INC.  
 7255 30TH AVE. N. SAINT PETERSBURG, FL 33710  
 TEL: (727) 344-6254 FAX: (727) 381-6116  
 http://WWW.MCLI.COM

SCALE:	N/A
SHEET:	N/A

UNLESS OTHERWISE SPECIFIED:  
 TOLERANCES  
 IN (INCHES) OR [mm] (MILLIMETERS)  
 FRACTIONS:  $\pm 1/64$   
 DECIMALS:  $\pm .01 \pm .005$   
 ANGLE:  $\pm 1/2^\circ$

DRAWING TITLE:  
**ELECTROMECHANICAL SWITCHES**

PART NO.  
**W3-7-LIS**

CAGE CODE: OD2L5	SIZE: N/A	REV: N/A	DWG NO. 84226
DO NOT SCALE THE DRAWING			

4

3

2

1