

Passband 1: 1027 to 1033 MHz

Diplexer (BP/BP)

Passband 1 Isolation: 40 dB

Passband 2: 1087 to 1100 MHz

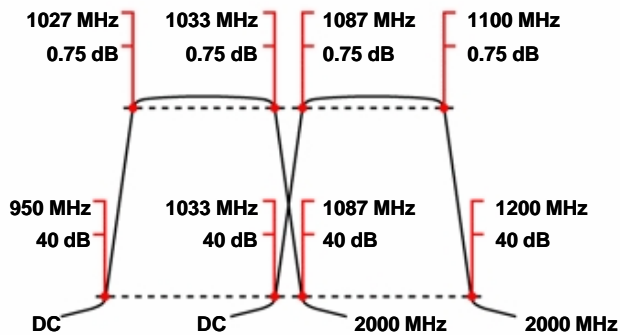
WDCTV5+5-1027-1033/1087-1100-40

Passband 2 Isolation: 40 dB

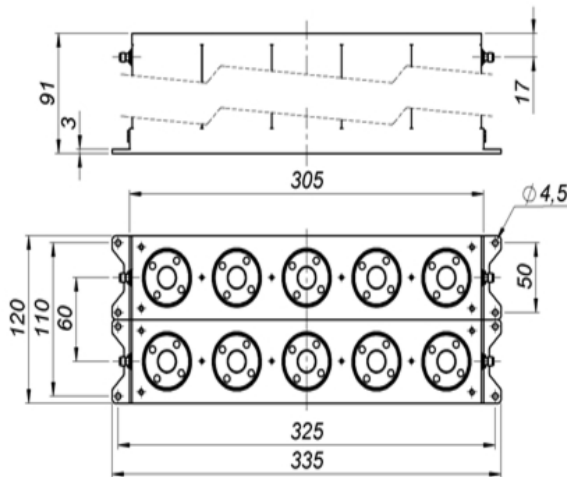
Specifications

	Band 1 (Bandpass)	Band 2 (Bandpass)
Passbands:	1027 to 1033 MHz	1087 to 1100 MHz
Passband Insertion Loss:	0.75 dB max.	0.75 dB max.
Passband Return Loss:	17 dB min.	17 dB min.
Stopbands:	DC-950 & 1087-2000 MHz	DC-1033 & 1200-2000 MHz
Stopband Attenuation:	40 & 40 dB min.	40 & 40 dB min.
Operating Temperature:	15 °C to 45 °C	
Power Handling:	max. 300 W CW into a 2:1 VSWR (<i>Please see our warranty in this regard</i>)	
Dimensions (L x W x H):	305 x 120 x 91 mm (plus connectors and flanges)	
Approx. Weight:	6.7 kg	
Mounting Provision:	15 mm flanges on both ends with 4.5 mm holes	
Connector Common:	- Please choose -	
Connector Band 1:	- Please choose -	
Connector Band 2:	- Please choose -	

Typical Performance



5+5 Section Cavity Design



©2015 Wainwright Instruments. All rights reserved.

Euro Prices

(USD Prices will be quoted for US-based customers only)

1 - 4 pcs:	€ 2034
5 - 9 pcs:	€ 1932
10 - 24 pcs:	€ 1836

Delivery Terms

FCA Andechs (free carrier) according to **Incoterms 2010**
 In Deutschland liefern wir frachtfrei gemäß CPT **Incoterms 2010** (unversichert).
 Regarding payment terms and warranty see [Terms and Conditions](#).
Delivery time: normally 3 to 4 weeks - depending on quantity ordered and on our work load.

Customer is responsible for observing all applicable export laws in regard to filter application and location of end user



Wainwright Instruments GmbH
 www.wainwright-filters.com

Tel: +49 8152 918230
 Fax: +49 8152 918255
 info@wainwright-filters.com