



WR-75 Flexible Straight Waveguide Section 12 Inch Length with Square Cover Flange Operating from 10 GHz to 15 GHz

TECHNICAL DATA SHEET

PE-W75SF005-12

The PE-W75SF005-12 is part of Pasternack's family of flexible, seamless waveguides which operates in the 10 to 15 GHz range. The waveguide body is made of silver plated brass. It can be bent in both the E and H planes without impairing VSWR or attenuation. The waveguide is covered by a neoprene jacket which protects the waveguide and provides mechanical support.

Features

- WR-75 waveguide
- Flexes in both the E and H plane
- 10 GHz to 15 GHz Frequency Range
- Brass flanges with a silver plated brass body
- Neoprene sleeve provides added protection and mechanical support

Applications

- Allows expansion/contraction due to thermal issues.
- Test Benches
- Microwave Radio
- Eliminates installation problems caused by misalignment.
- Pressurized waveguide systems
- Provides vibration isolation

Electrical Specifications

Description	Minimum	Typical	Maximum	Units
Frequency Range	10		15	GHz
VSWR		1.07:1		
Insertion Loss		0.12		dB

Mechanical Specifications

Waveguide Size	WR-75
Waveguide Design	Flexible
Section Length	12 in [304.8 mm]
E-Plane Minimum Bend Radius, One Time	0.79 in [20.07 mm]
H-Plane Minimum Bend Radius, One Time	1.58 in [40.13 mm]
Maximum Operating Pressure	45 psig

Description	Flange 1	Waveguide	Flange 2
Interface	Square Cover	WR-75	Square Cover
Material	Brass	Copper	Brass
Plating		Silver	
Color	Gold	Black	Gold

Compliance Certifications (visit www.Pasternack.com for current document)

RoHS Compliant	
REACH Compliant	12/17/2014

Click the following link (or enter part number in "SEARCH" on website) to obtain additional part information including price, inventory and certifications: [WR-75 Flexible Straight Waveguide Section 12 Inch Length with Square Cover Flange Operating from 10 GHz to 15 GHz PE-W75SF005-12](#)



WR-75 Flexible Straight Waveguide Section 12 Inch Length
with Square Cover Flange Operating from 10 GHz to 15 GHz

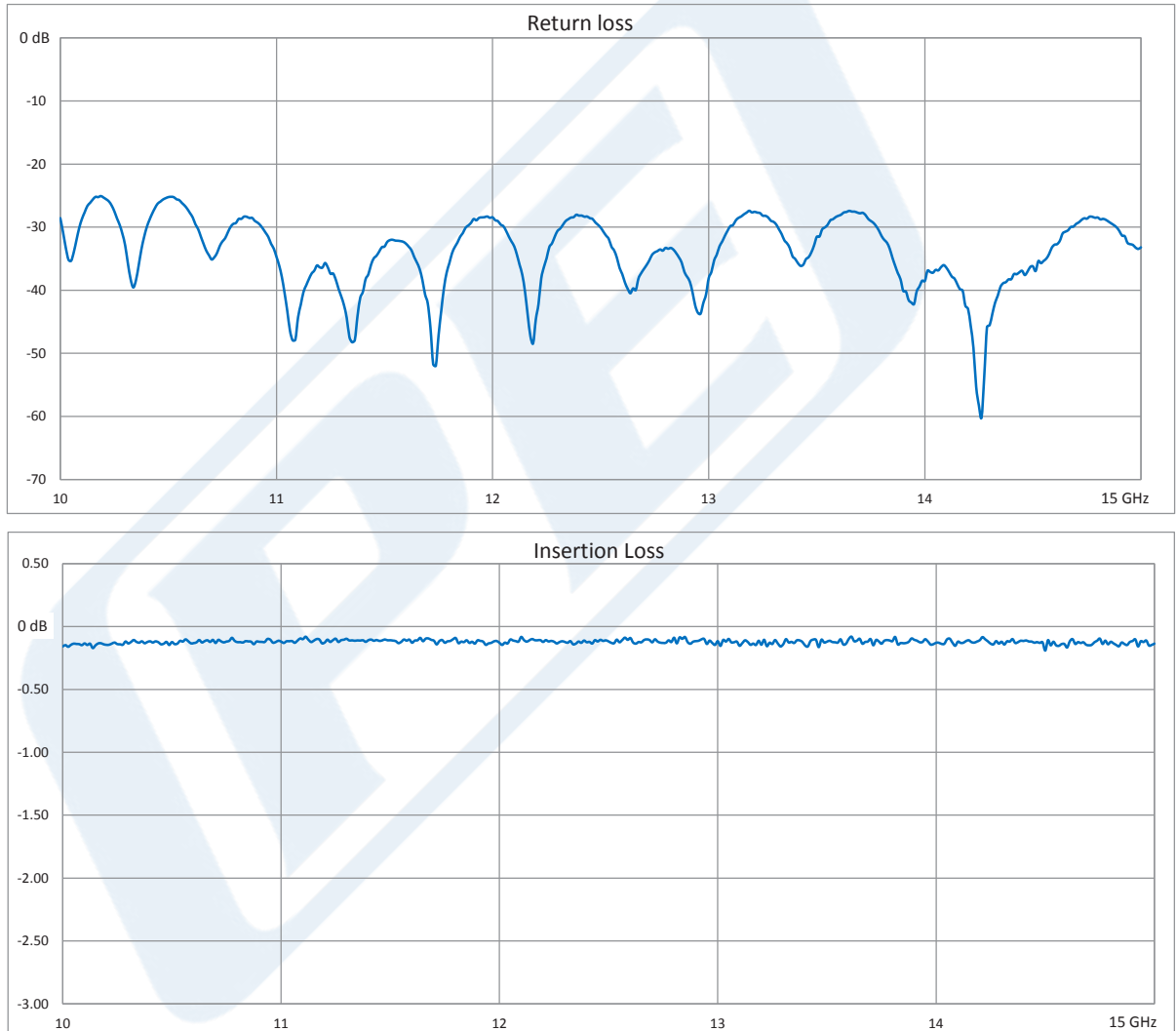
TECHNICAL DATA SHEET

PE-W75SF005-12

Notes:

- Values at +25 °C, sea level

Power Data

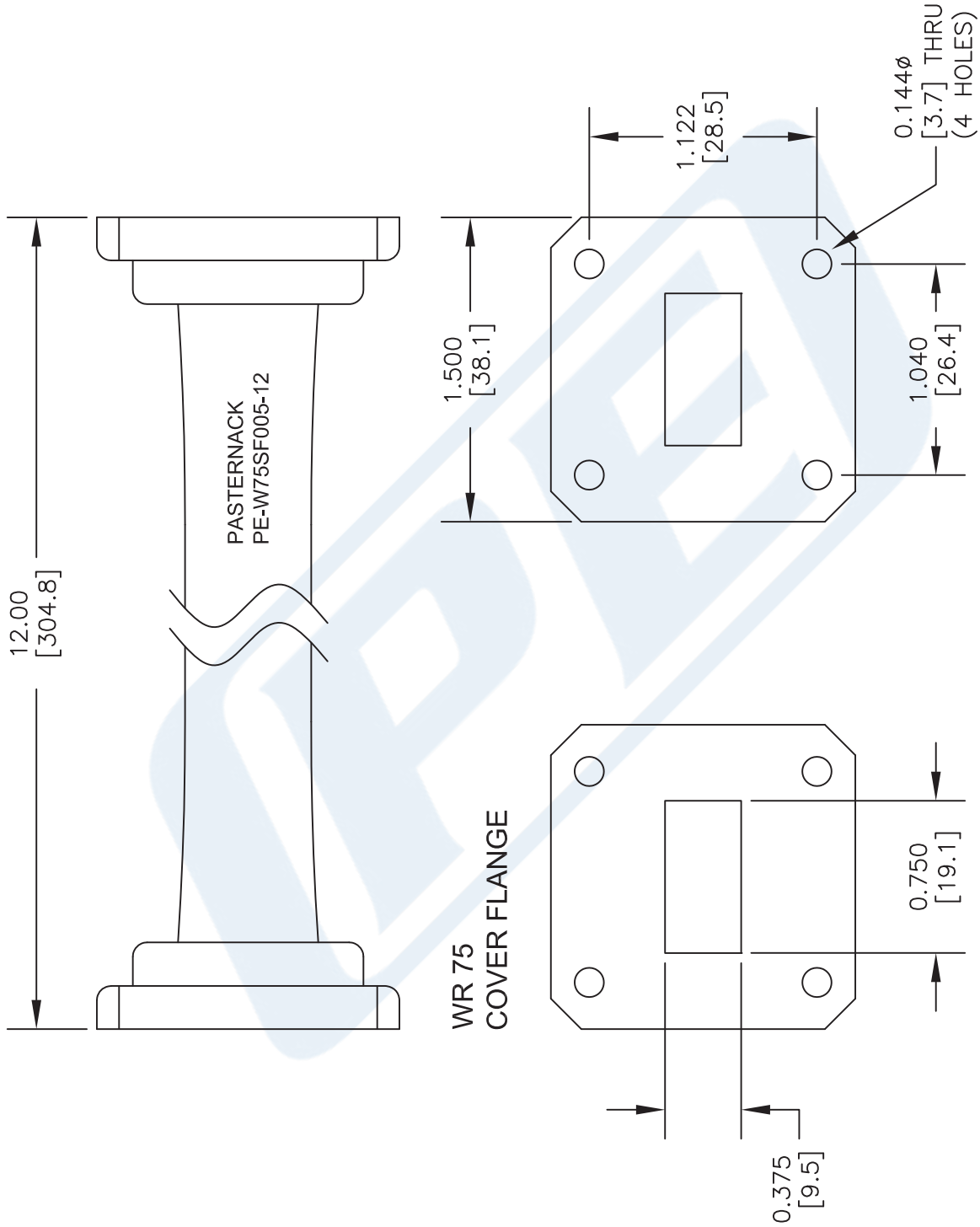


Click the following link (or enter part number in "SEARCH" on website) to obtain additional part information including price, inventory and certifications: [WR-75 Flexible Straight Waveguide Section 12 Inch Length with Square Cover Flange Operating from 10 GHz to 15 GHz PE-W75SF005-12](#)



PE-W75SF005-12 CAD Drawing

WR-75 Flexible Straight Waveguide Section 12 Inch Length with Square Cover Flange Operating from 10 GHz to 15 GHz



NOTES:
1. UNLESS OTHERWISE SPECIFIED ALL DIMENSIONS ARE NOMINAL.
2. ALL SPECIFICATIONS ARE SUBJECT TO CHANGE WITHOUT NOTICE AT ANY TIME.
3. DIMENSIONS ARE IN INCHES [mm].

DWG TITLE
PE-W75SF005-12

FSCM NO. 53919

CAD FILE 101315

SCALE N/A

SIZE A

2233

(PE) PASTERNAK
THE ENGINEER'S RF SOURCE
Pasternack Enterprises, Inc.
P.O. Box 16759 | Irvine | CA | 92623
Phone: (949) 261-1920 | Fax: (949) 261-7451
Website: www.pasternack.com | E-Mail: sales@pasternack.com